



Installation, Configuration & User Manual

for

iZone 400 to 435

Air Conditioning Control Systems

Need this manual in a larger format? Download a copy

www.izone.com.au

Airstream Pty Ltd reserves the right to change or modify the design, specifications, software, hardware, firmware or Apps at any time without prior written or oral notice. Images and functions in this manual should be considered as indicative only and may differ from the actual iZone touch screen or Apps

Table of contents

Section	Description	Page No.
Forward		7-8
1.0 Design Considerations		9
1.1	Designing the correct constant zone	9-10
1.2	Fixed ducted constant and standard electronic constant	11
1.3	Dedicated electronic constant and bypass electronic constant	12
2.0 Installation		13
2.1	iZone Naked 400 — Wiring layout for up to 8 zones	13
2.2	iZone Naked 400 —Wiring layout for up to 14 to zones	14
2.3	iZone Naked 405 — Wiring layout for up to 8 zones	15
2.4	iZone Naked 405 —Wiring layout for up to 14 to zones	16
2.5	iZone Naked 410 — Wiring layout for up to 8 zones	17
2.6	iZone Naked 410 —Wiring layout for up to 14 to zones	18
2.7	iZone Naked 415 — Wiring layout for up to 8 zones	19
2.8	iZone Naked 415 —Wiring layout for up to 14 zones	20
2.9	iZone Nano 420 — Wiring layout for up to 8 zones	21
2.10	iZone Nano 420 —Wiring layout for up to 14 zones	22
2.11	iZone Nano 425 — Wiring layout for up to 8 zones	23
2.12	iZone Nano 425 —Wiring layout for up to 14 zones	24
2.13	iZone Nano 430 — Wiring layout for up to 8 zones	25
2.14	iZone Nano 430 —Wiring layout for up to 14 zones	26

Table of contents

Section	Description	Page No.
2.0 Installation (Cont.)		
2.15	iZone Nexus 435 — Wiring layout for up to 8 zones	27
2.16	iZone Nexus 435 —Wiring layout for up to 14 zones	28
2.17	Stand alone VAV system for a typical 4 zone system	29
2.18	Optional equipment for wireless temperature controlled zones	30
2.19	Optional equipment for wired temperature sensors	31
2.20	Optional equipment for iSense temperature and occupancy controlled zones	32
2.21	Optional equipment for colour touch screen temperature controlled zones	33
2.22	Example of different types of temperature sensors and controllers on a single system	34
2.23	Optional equipment for running multiple systems from a single iZone Nexus touch screen	35
2.24	Option equipment for wired WiFi control of system	36
2.25	Option equipment for wireless WiFi control of system	37
2.26	iZone 415 to 435 — Optional equipment for iSave addition (up to 6 zones)	38
2.27	iZone 415 to 435 —Optional equipment for iSave addition (7 to 12 zones)	39
2.28	Optional equipment for Ethernet Home Automation connection	40
2.29	Integrated iZone A/C, Lights, Garden & Security	41
2.30	iZone wiring connection to AC units	42
2.30.1	iZone wiring connection to LG units	43
2.30.2	iZone wiring connection to Temperzone units	44
2.30.3	iZone wiring connection to Samsung units	45
2.30.4	iZone wiring connection to Hitachi units	46

Table of contents

Section	Description	Page No.
2.0 Installation (Cont.)		
2.30.5	iZone wiring connection to York units	47
2.30.6	iZone wiring connection to Haier units	48
2.31	iZone Universal Control Module	49
2.31.1	iZone Universal Control Module — Gas heating thermostat only	50
2.31.2	iZone Universal Control Module — 1 Stage gas heating + 1 x fan speed	51
2.31.3	iZone Universal Control Module — 1 Stage gas heating + 1 stage cooling + 1 x fan speed	52
2.31.4	iZone Universal Control Module — 2 Stage gas heating + 1 stage cooling + 1 x fan speed	53
2.31.5	iZone Universal Control Module — 2 Stage gas heating + 2 stage cooling + 1 x fan speed	54
2.31.6	iZone Universal Control Module — 1 Stage reverse cycle heat pump + 1 x fan speed	55
2.31.7	iZone Universal Control Module — 1 Stage reverse cycle heat pump + 3 x fan speed	56
2.31.8	iZone Universal Control Module — 1 Stage reverse cycle heat pump + aux heating + 1 x fan speed	57
2.31.9	iZone Universal Control Module — 2 Stage reverse cycle heat pump + aux heating + 1 x fan speed	58
2.32	General installation instructions	61
3.0 System initialisation		60
3.1	During initialisation	61
4.0 System Configuration		62
4.1	Configuration main menu	63
4.2	Zone setup	64-65
4.2.1	Sensor configuration	66
4.2.2	Pairing and configuring iZone RF sensors	67
4.2.3	Sensor calibration	68

Table of contents

Section	Description	Page No.
System Configuration (Cont)		
4.2.4	iSense controller configuration	69
4.3	AC unit configuration (iZone 325 only)	70
4.3.1	Fan auto configuration	71
4.3.2	Fan auto zone area setup	72
4.3.3	Master / Slave setup	73
4.4	System options (Display, Taglines, Filter Maintenance, Locks, Non Standard Damper Motors)	74-75
4.5	WiFi bridge configuration	76
4.5.1	Manual IP configuration	77
4.5.2	WiFi connection	78
4.5.3	Smart phone, tablet and PC configuration—System requirements	79
4.5.3	Smart phone, tablet and PC configuration—Equipment required and Configuration	80
4.5.3	Smart phone, tablet and PC configuration—Using you App	81
4.6	Home automation integration	82
5.0	User Manual	83
5.1	iZone 400 & 405 home screen	83
5.2	iZone 410—435 home screen	84
5.3	iZone AC unit control	85
5.4	Zone control	86
5.5	Edit zone names and settings	87
5.6	Adjusting temperature controlled zones	88
5.7	Zone airflow summary	89

Table of contents

Section	Description	Page No.
User Manual (Cont)		
5.8	Changing zone airflows	90
5.9	Favourites	91
5.10	Assigning and editing favourites	92
5.11	Schedules	93
5.12	Setting and editing a schedule	94
5.13	Setting the time	95
5.14	Changing the home screen colour	96
5.15	iSense controller	97
6.0	Warranty registration	98
6.1	Airstream product warranty policy	99
7.0	Further assistance	100

Forward

Congratulations on the purchase of your iZone air conditioning control system.

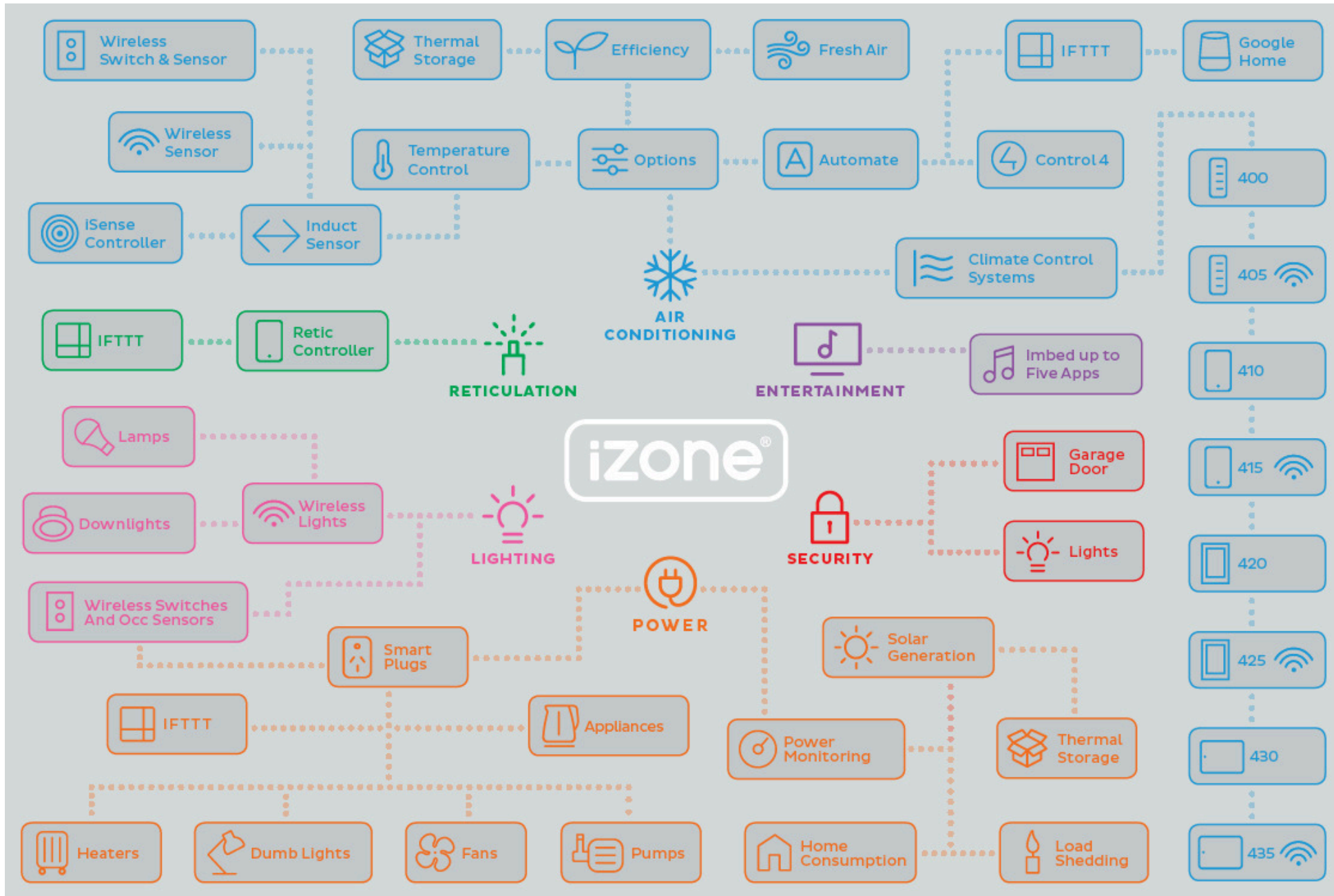
iZone has been developed in Australia to provide affordable, reliable, automated control of your home or office air conditioning.

iZone is a scalable control system that can provide basic air-side zoning all the way up to fully integrated air conditioning unit control with individual room temperature control, occupancy sensing, lighting control, security, garden reticulation and power management.

You can begin your iZone journey with a basic system then add to it as funds become available without the need to replace what you have already purchased.

The iZone family is shown on the diagram below. Please check with your contractor which parts are available in your area.

Forward



1.0 Design consideration

1.1 Designing the correct constant zone

All ducted air conditioning systems should have a percentage of air passing over the indoor coil at all times. This is a safety mechanism to protect the ductwork and the AC unit. If all the zone dampers in a system are closed then flexible duct could split or be blown off the spigots, or the indoor coil could ice up. It is much less likely for the coils to ice up on modern AC units as they have in-built safety controls to prevent this occurring, but it is still good practice to ensure airflow across the coil.

There are several ways of achieving this when designing a ducted air conditioning system.

i. Fixed ducted constant zone

This is a relatively old fashioned way of achieving constant airflow across the coil. It requires the system to be designed with one zone that has no zone damper fitted to it. This is normally the main living area in the home or a common area in an office building. The downside with this configuration is that air will always be delivered to this area regardless of whether it is occupied or not. This reduces the diversity of the system and may necessitate a larger AC unit to be installed, thereby increasing both the capital and running costs of the system. In addition to this noise to this constant zone may increase when all other zones are closed. (See Fig C01 below)

ii. Electronic constant zone

This option requires the system to be designed with one zone that has a zone motor fitted to it, which will automatically open if all other zones are closed. With electronic constants there are two options available as follows:

a. Standard electronic constant zone

Typically a zone damper would be fitted to the main living area in the home or a common area in an office building. This zone can be used like any other zone but will be automatically overridden open if required by the system to maintain the minimum airflow over the indoor coil. With an iZone system you can select as many zones as you need to be electronic constants and they will activate and deactivate progressively as required. While superior to i. (Fixed ducted constant zone), it does have a number of short comings. Most of the time the conditions in the standard electronic zone will be satisfactory however when required to operate to relieve pressure, conditions (temperature) in this zone will drift and may become uncomfortable. Individual room temperature control cannot be fitted to a standard electronic zone. Noise from the outlet may be higher when the electronic constant is operating (See Fig C02

1.1 Designing the correct constant zone (cont)

below)

b. Dedicated electronic constant zone

In this option an additional zone is installed into the system serving an unoccupied area such as a stairwell, passage or entry. This zone is left in the closed position and will only open if required by the system. With an iZone system you can select as many dedicated zones as you need. The benefit of the dedicated electronic constant zone is that all habitable areas can have individual temperature control and if the electronic constant is required to operate it will not affect the comfort of the occupants. The downside of this type of electronic constant is that conditions in the corridor or stairwell may feel mildly uncomfortable while transiting through them and the outlet in this area may generate some noise. (See Fig C03 below)

iii. Bypass electronic constant zone

In this option an additional zone is installed into the system looping from the supply air side of the A/C fan coil unit to the return air side of the A/C fan coil unit. This bypass zone is left in the closed position and will only open if required by the system. The benefit of the Bypass electronic constant zone is that all habitable areas can have individual temperature control and if the electronic constant is required to operate it will not affect the comfort of the occupants. No common areas are affected by the operation of the bypass constant and there is no increase in noise when the bypass is operating. In addition to this, the use of the bypass option increases the system efficiency as any conditioned air is kept within the system reducing the load on the AC unit and assisting to cycle the AC unit off earlier. (If set up to control from the units return air sensor). We recommend that all systems with individual zone temperature control are designed and configured with a bypass electronic constant zone and where possible control the A/C unit from “Zones”. (See Fig C04 below)

1.2 Fixed ducted constant and standard electronic constant

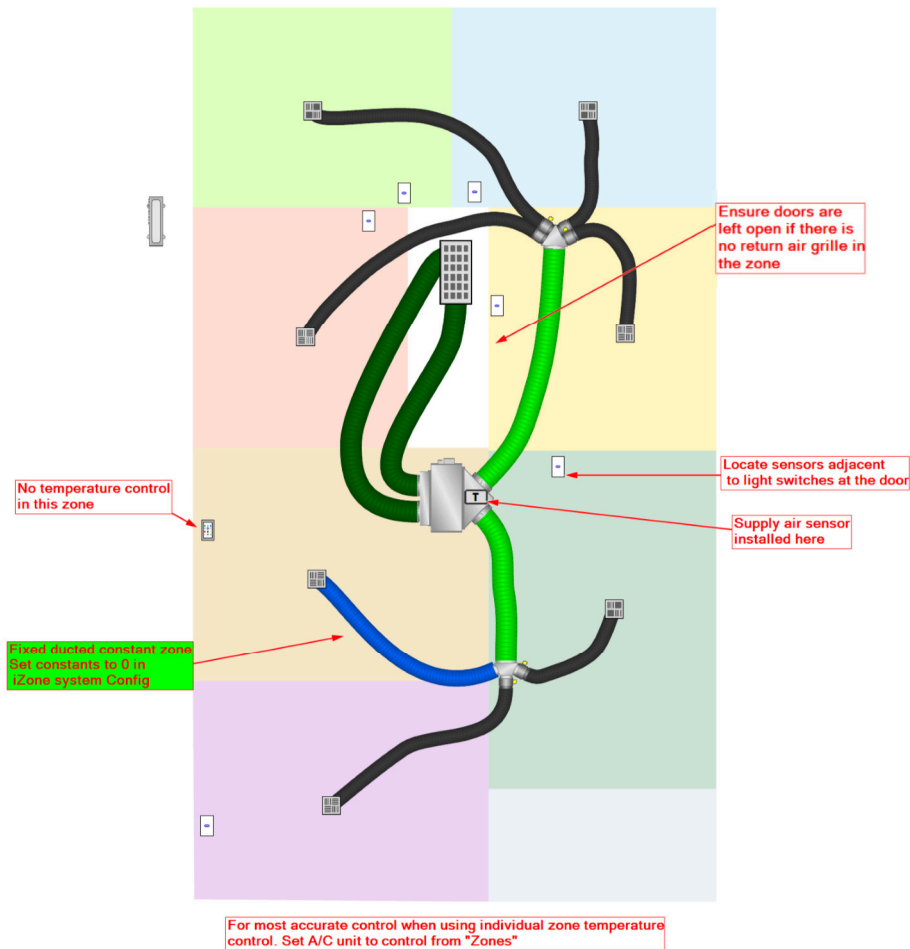


Fig C01—Fixed Ducted Constant

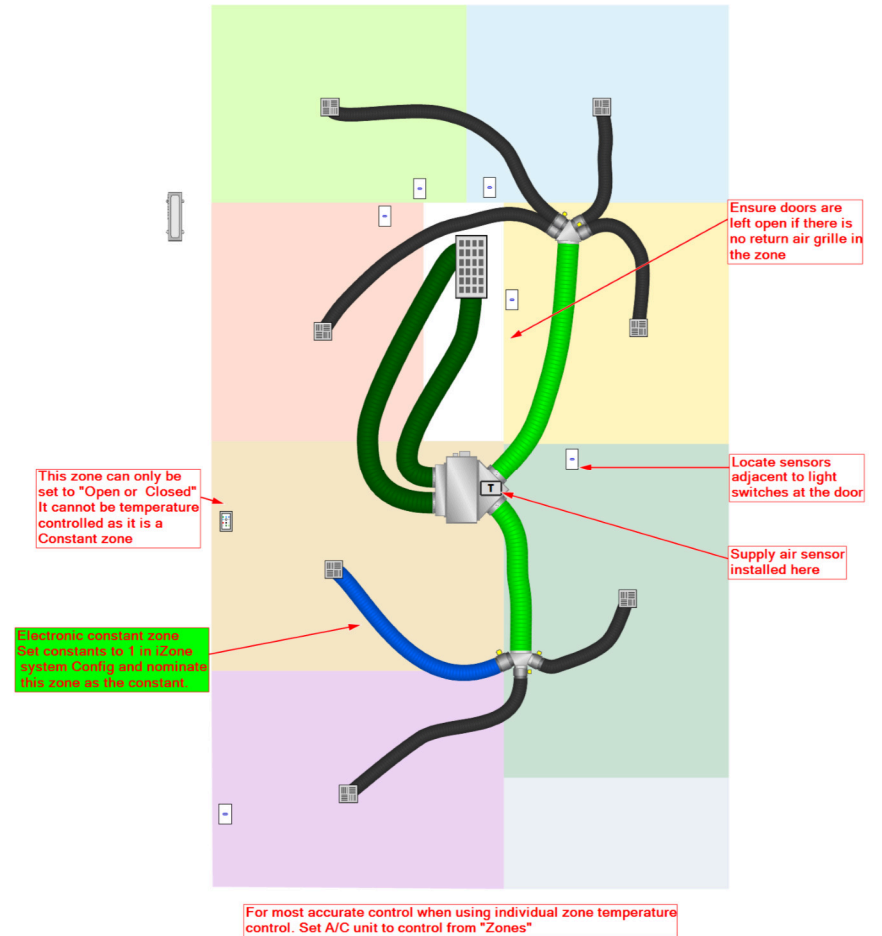


Fig C02—Standard Electronic Constant

1.3 Dedicated electronic constant & bypass electronic constant

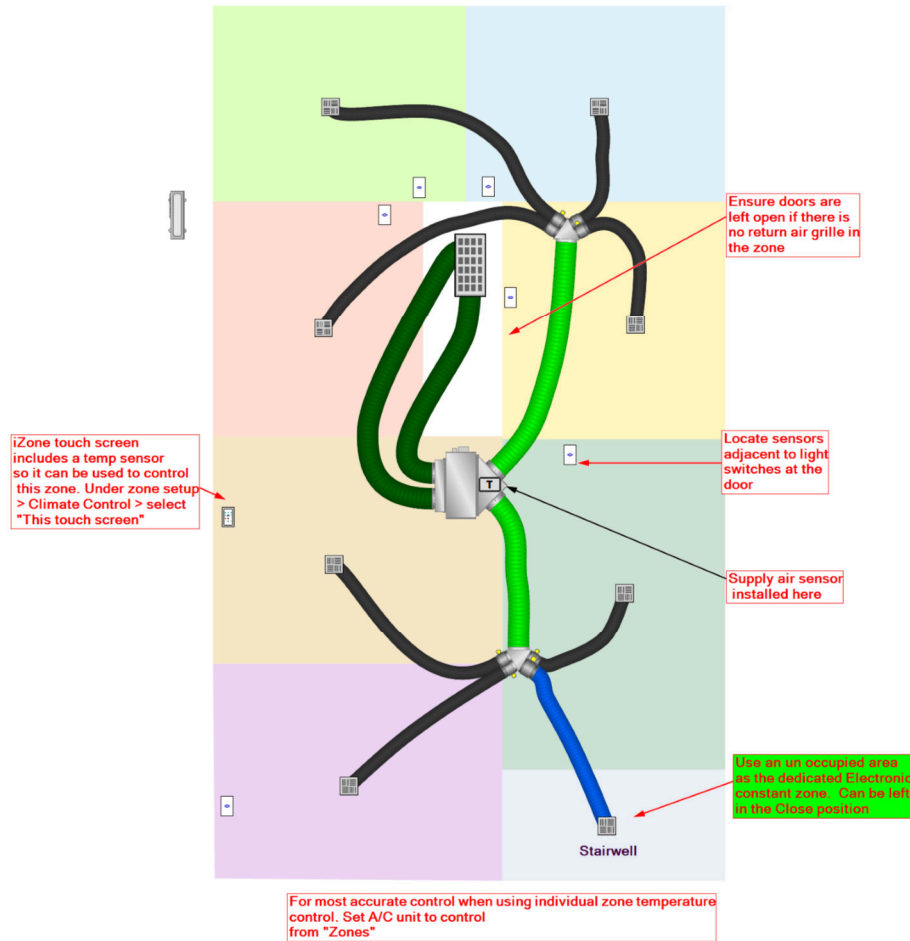


Fig C03—Dedicated Electronic Constant

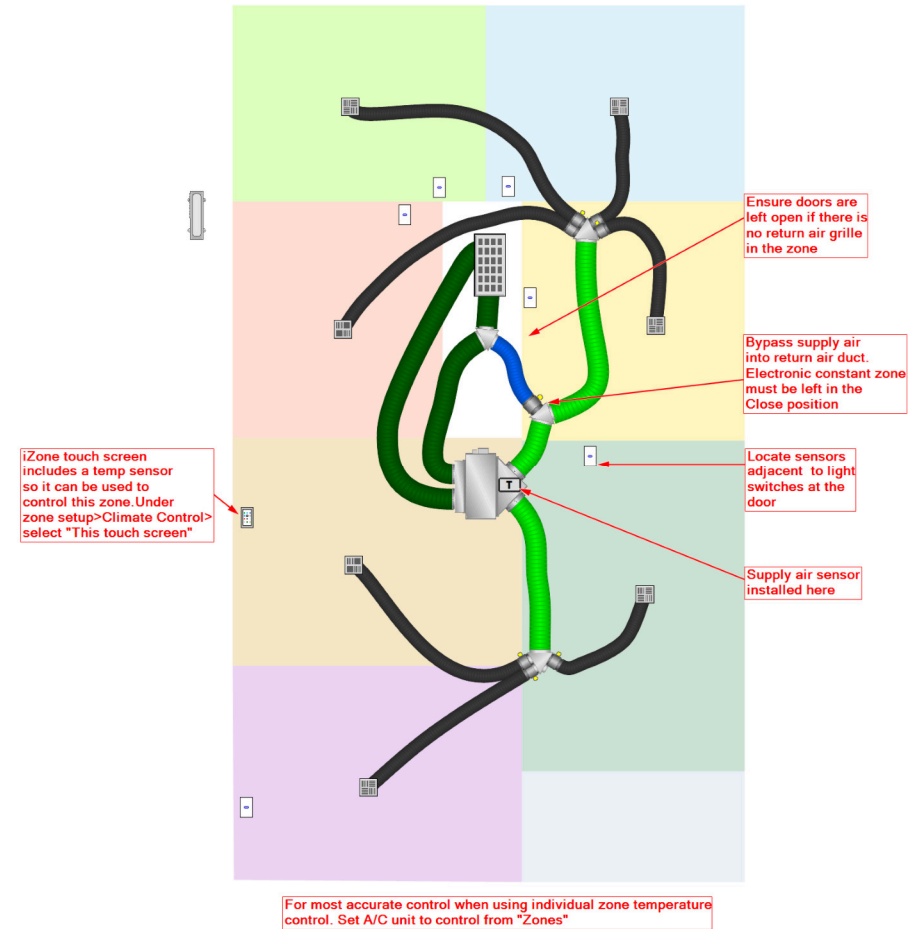
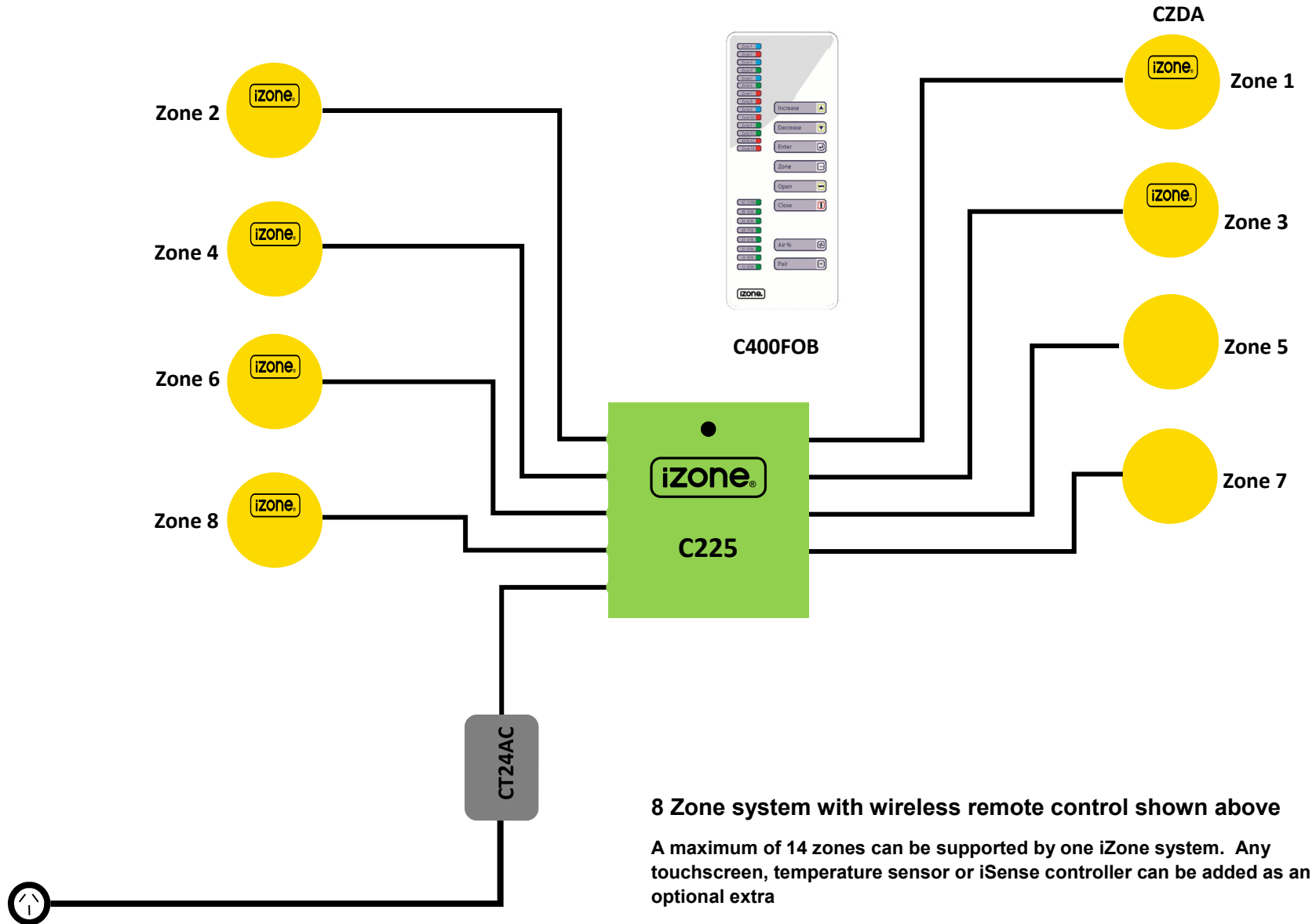


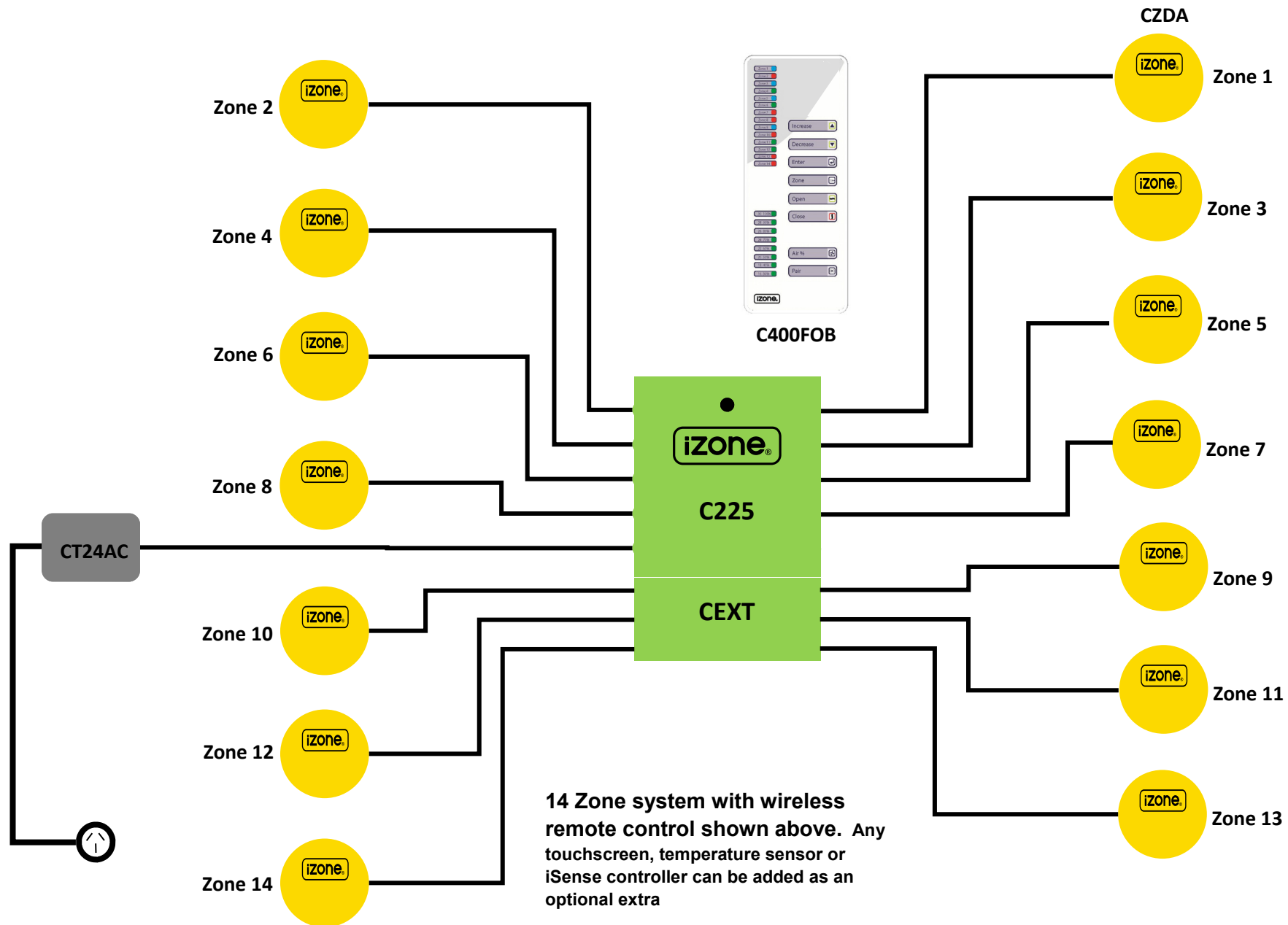
Fig C04—Bypass Electronic Constant

2.0 Installation

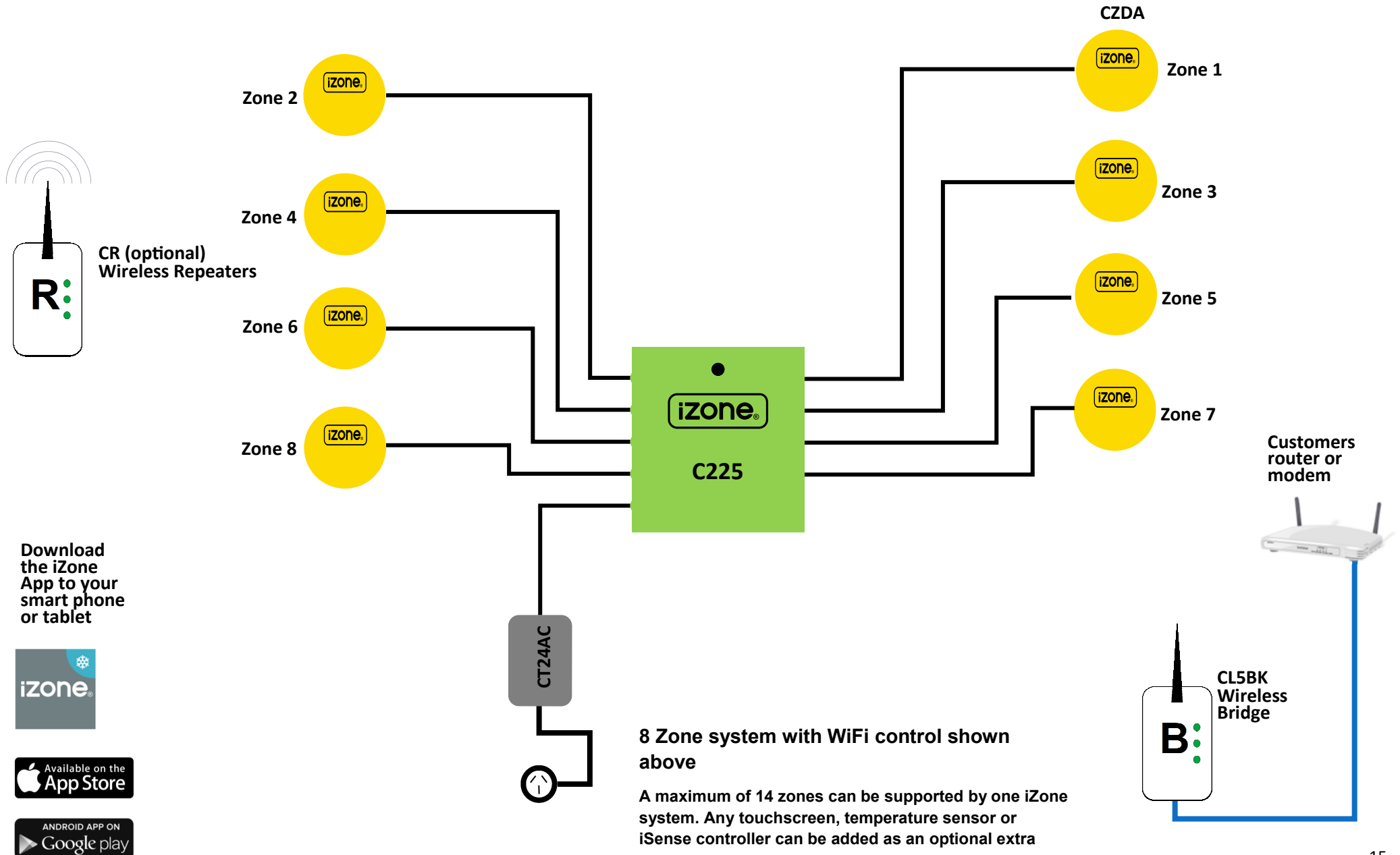
2.1 iZone Naked 400 - Wiring layout for up to 8 zones



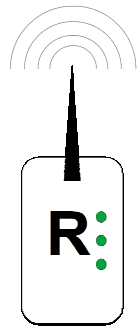
2.2 iZone Naked 400 - Wiring layout for up to 14 zones



2.3 iZone Naked 405 - Wiring layout for up to 8 zones

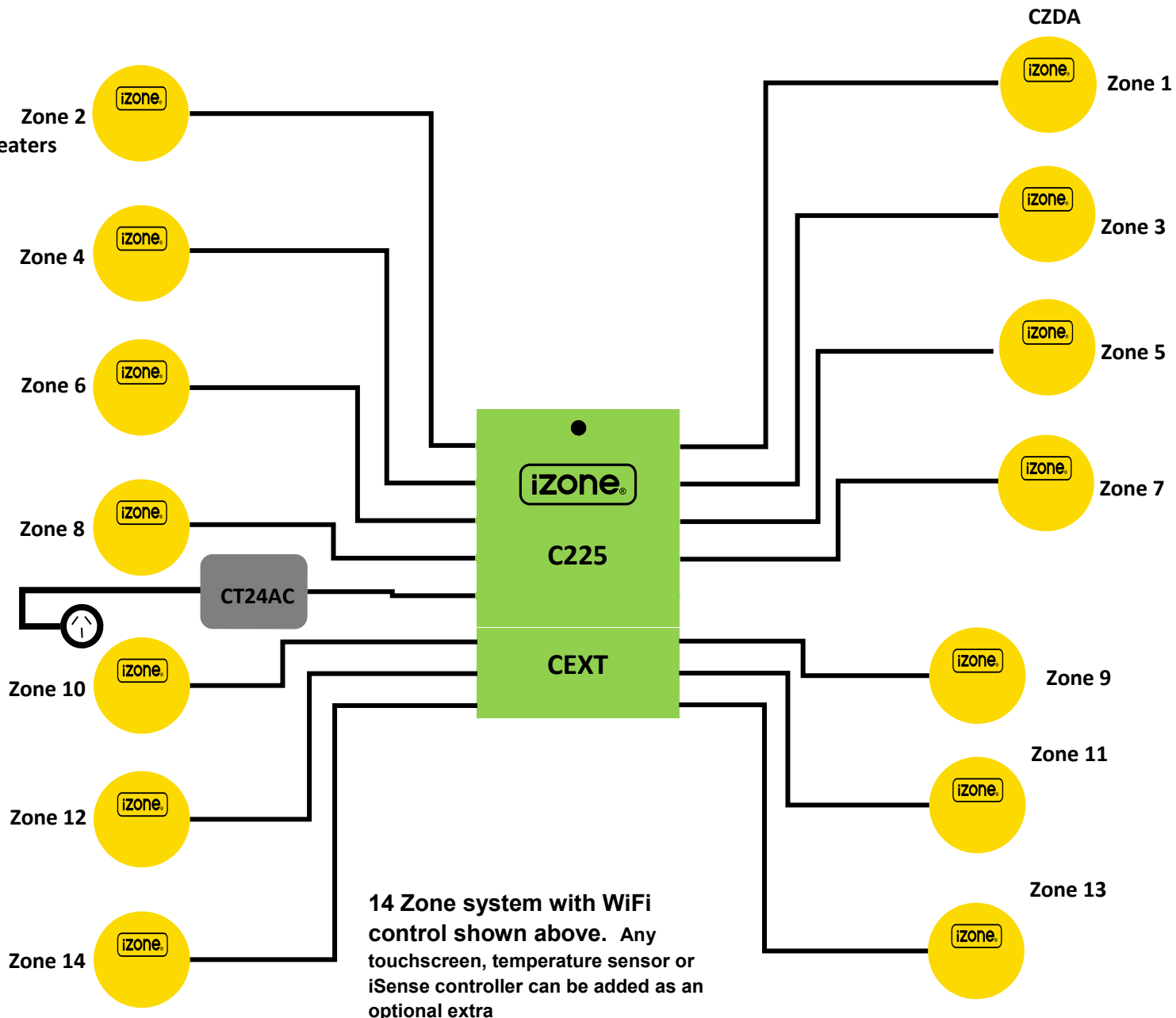


2.4 iZone Naked 405 - Wiring layout for up to 14 zones

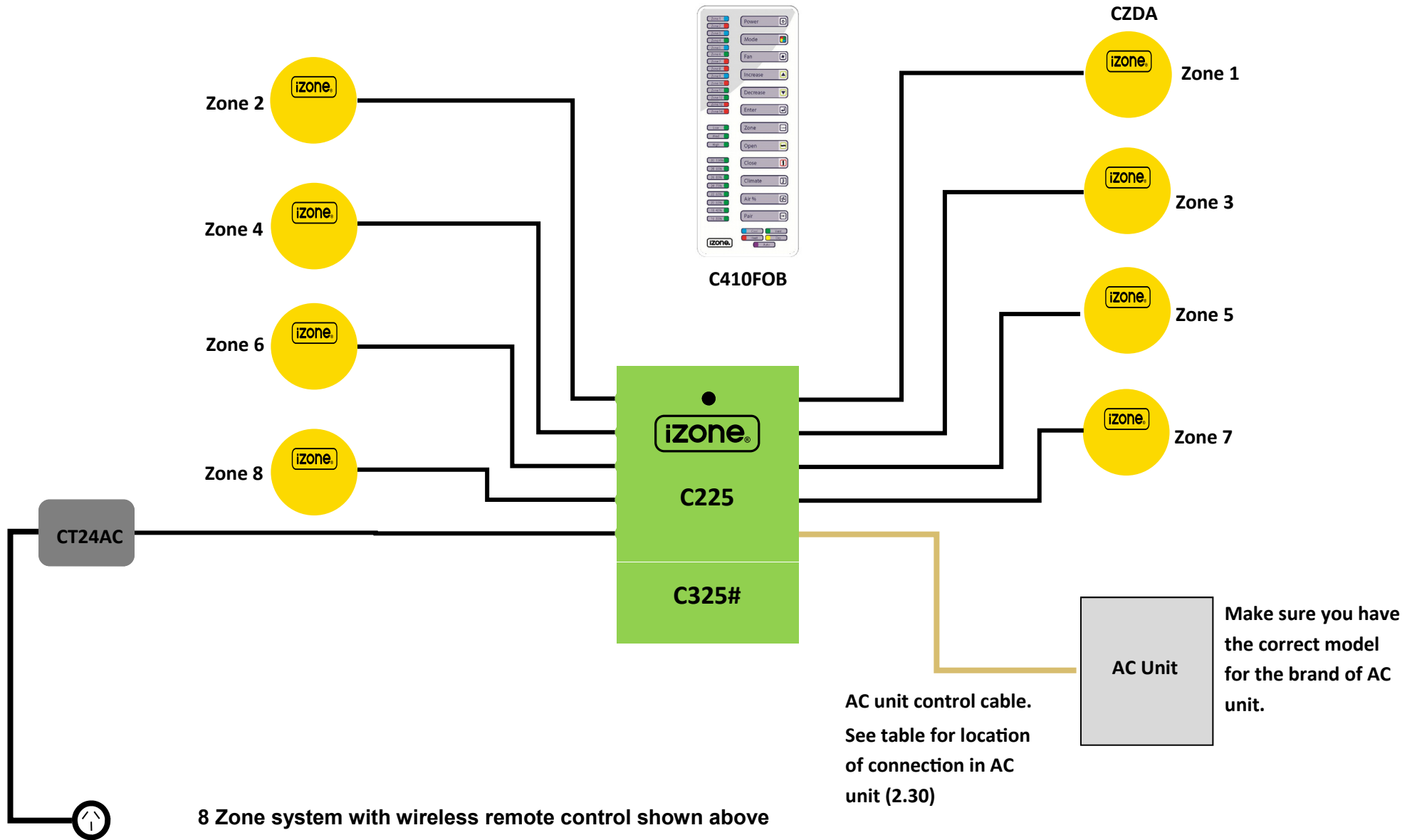


CR (optional)
Wireless Repeaters

Download
the iZone
App to your
smart
phone or
tablet



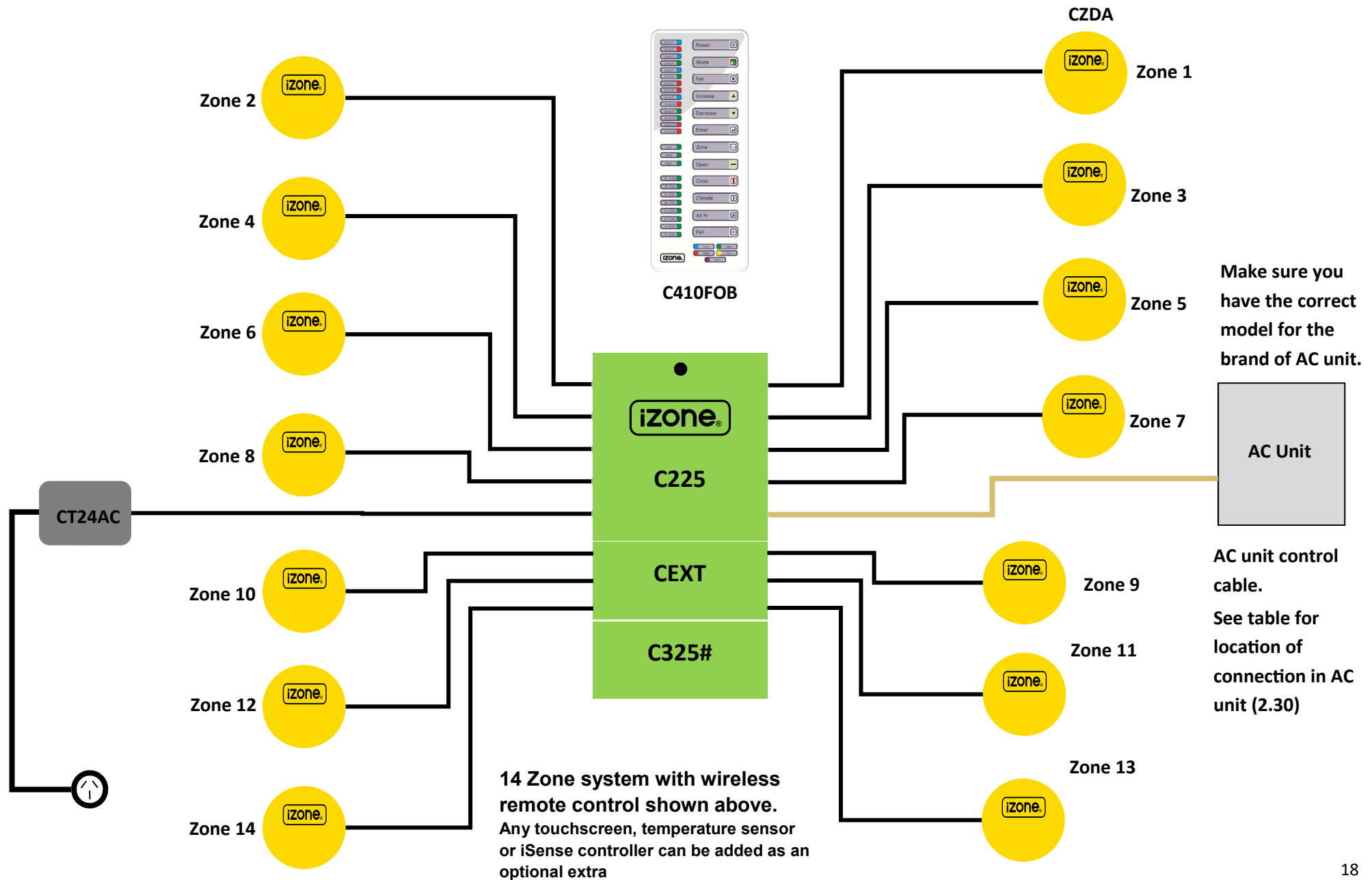
2.5 iZone Naked 410 - Wiring layout for up to 8 zones



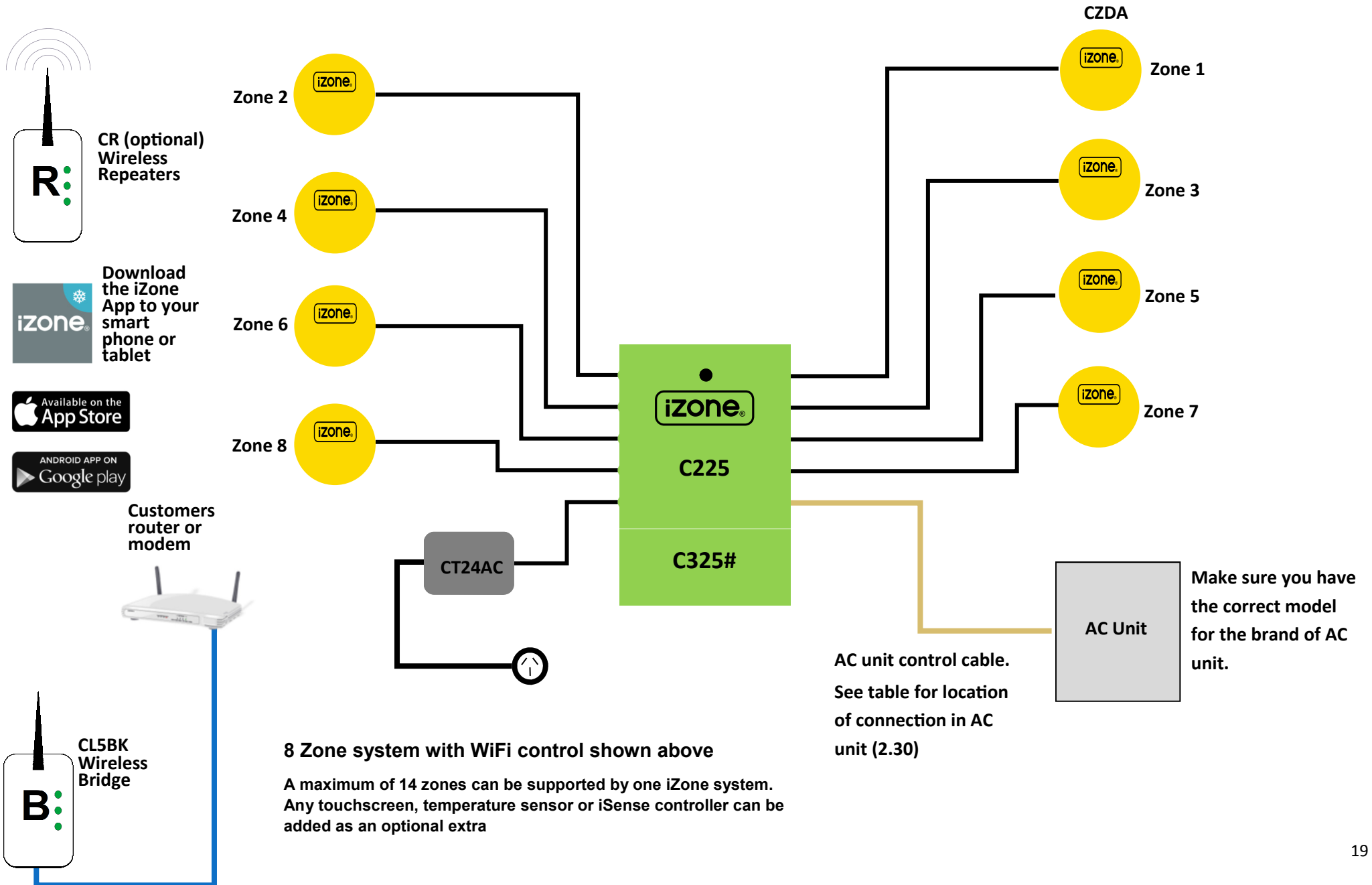
8 Zone system with wireless remote control shown above

A maximum of 14 zones can be supported by one iZone system. Any touchscreen, temperature sensor or iSense controller can be added as an optional extra

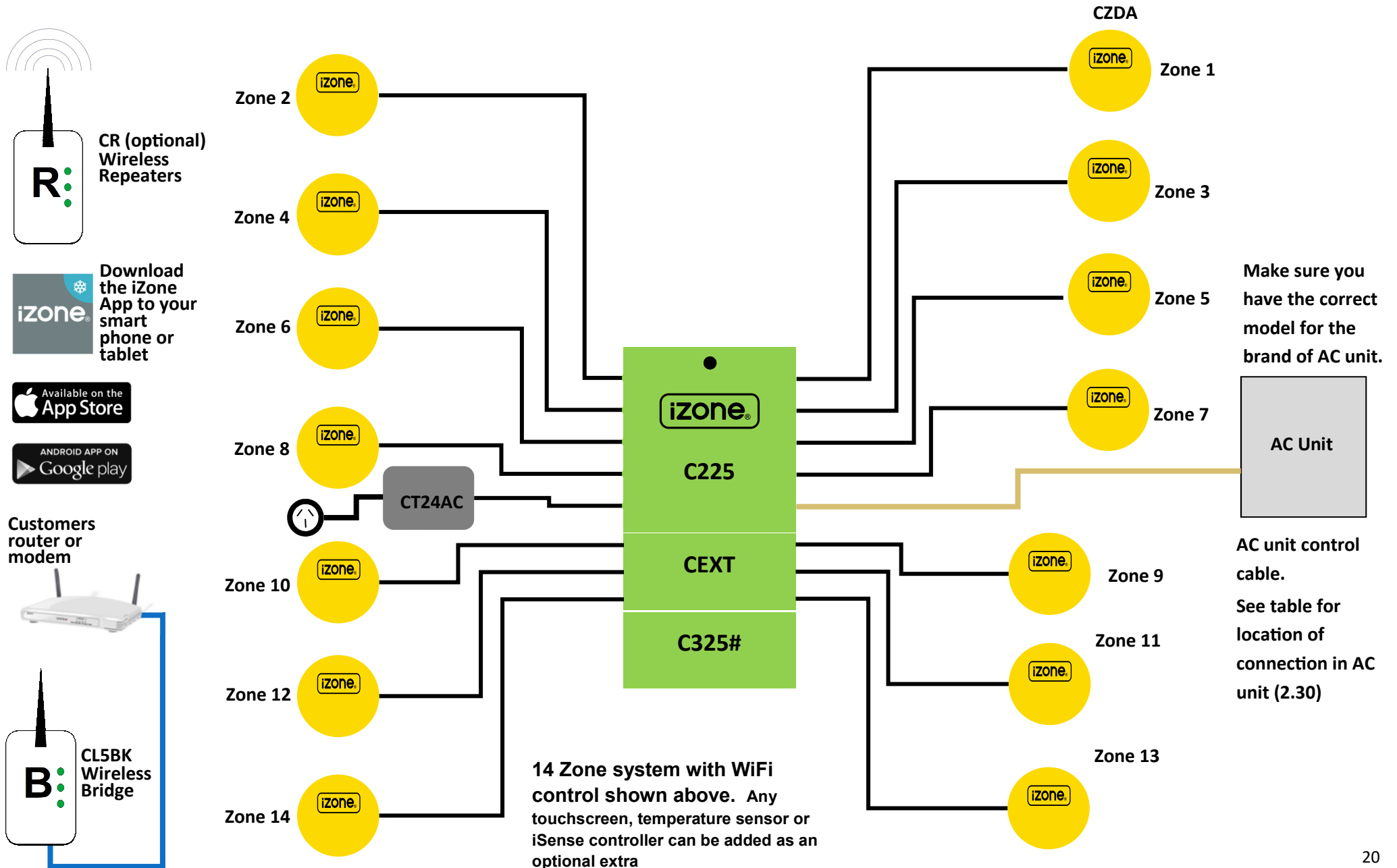
2.6 iZone Naked 410 - Wiring layout for up to 14 zones



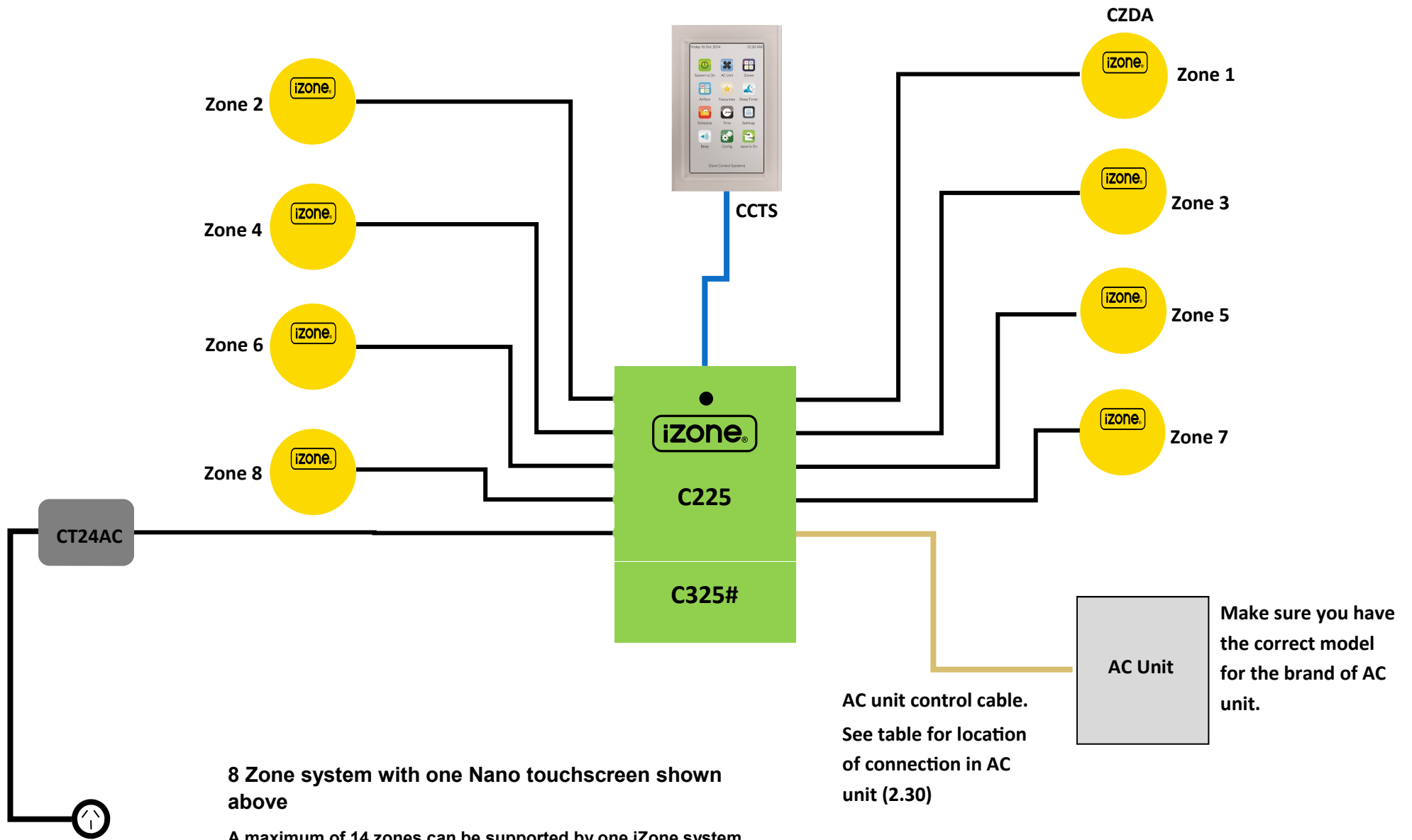
2.7 iZone Naked 415 - Wiring layout for up to 8 zones



2.8 iZone Naked 415 - Wiring layout for up to 14 zones



2.9 iZone Nano 420 - Wiring layout for up to 8 zones



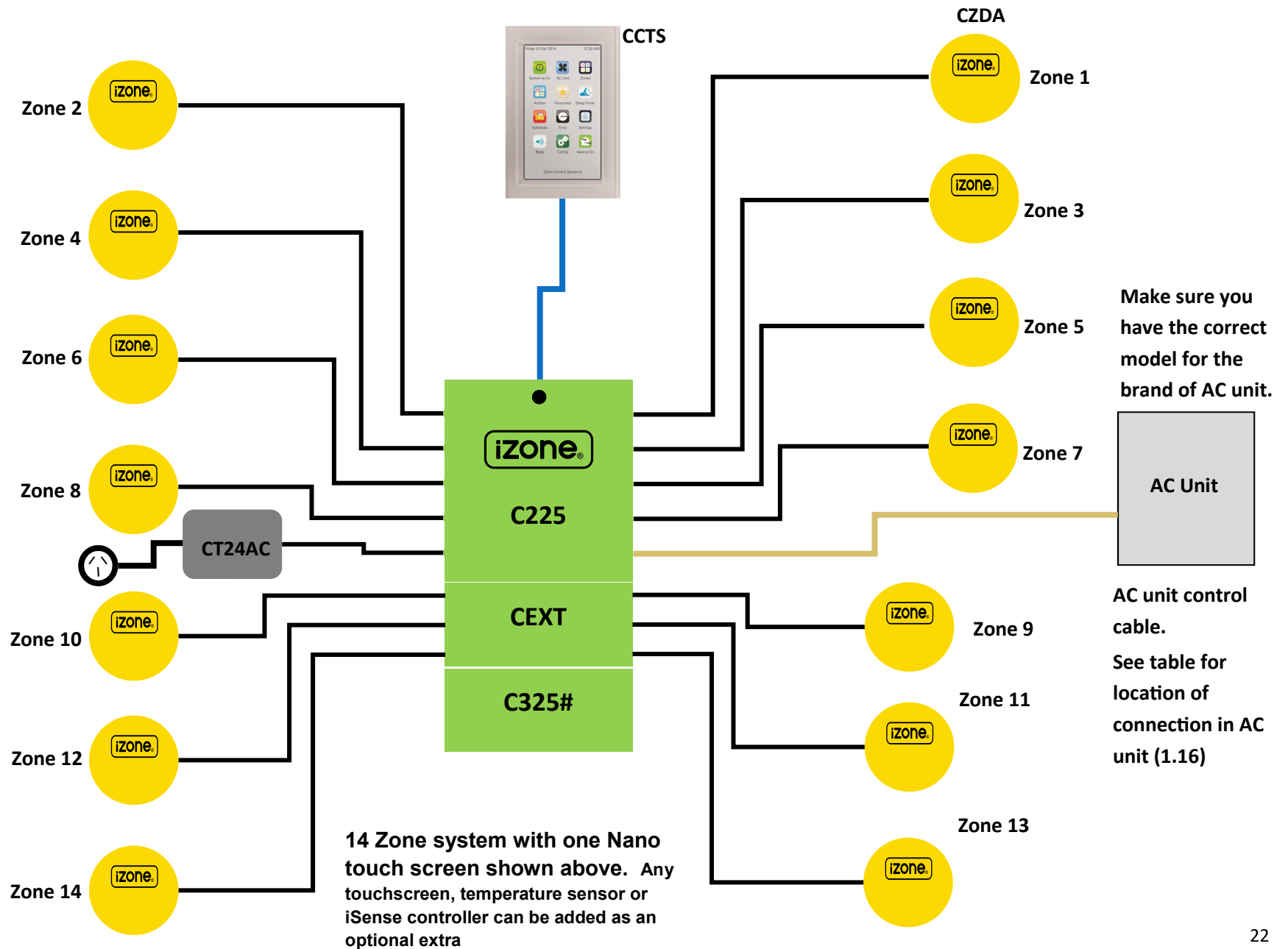
8 Zone system with one Nano touchscreen shown above

A maximum of 14 zones can be supported by one iZone system. Any additional touchscreen, temperature sensor or iSense controller can be added as an optional extra.

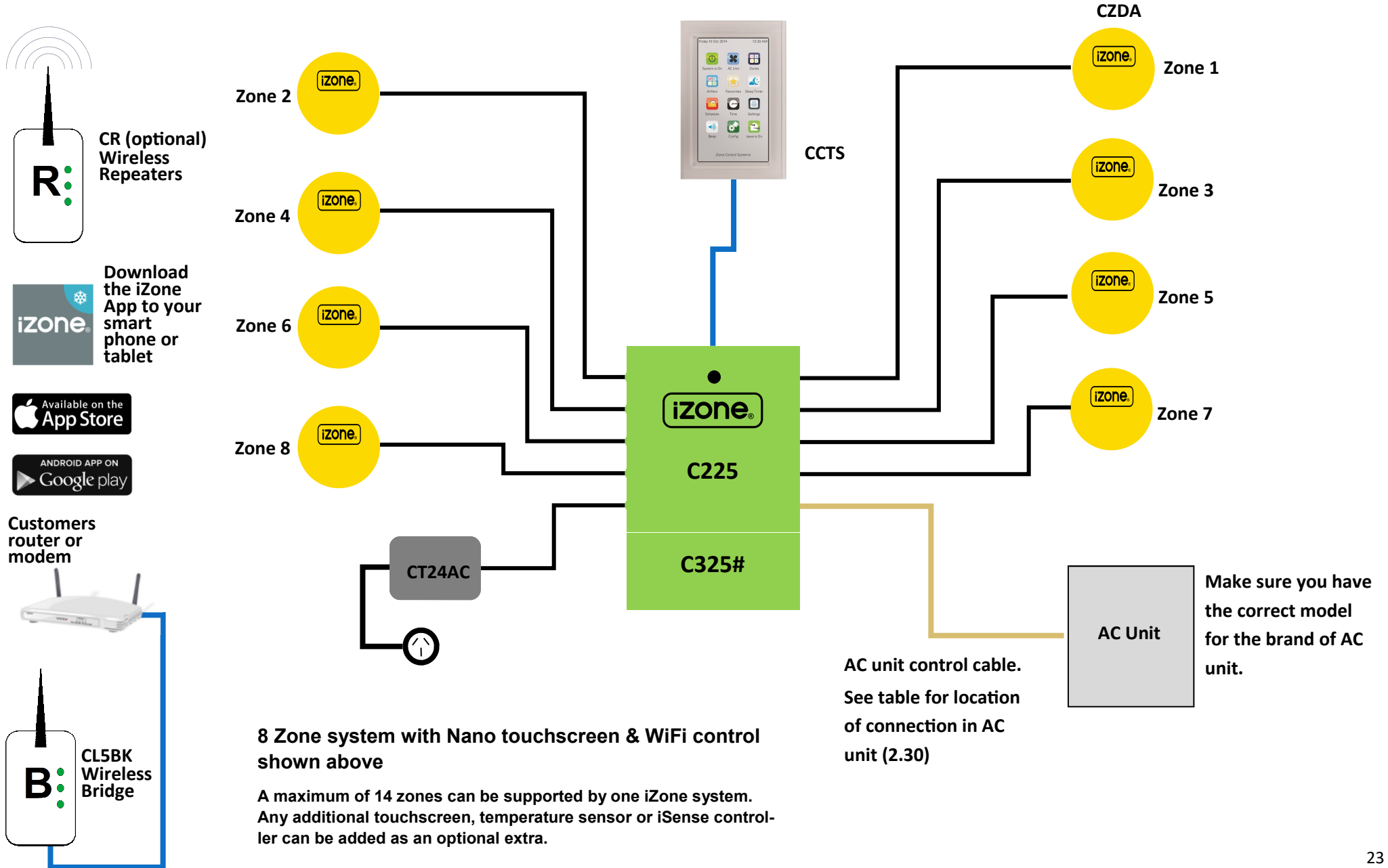
AC unit control cable. See table for location of connection in AC unit (2.30)

Make sure you have the correct model for the brand of AC unit.

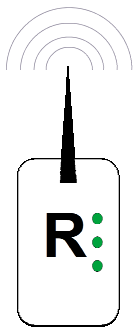
2.10 iZone Nano 420 - Wiring layout for up to 14 zones



2.11 iZone Nano 425 - Wiring layout up to 8 zones



2.12 iZone Nano 425 - Wiring layout for up to 14 zones



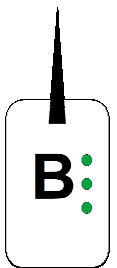
CR (optional)
Wireless
Repeaters



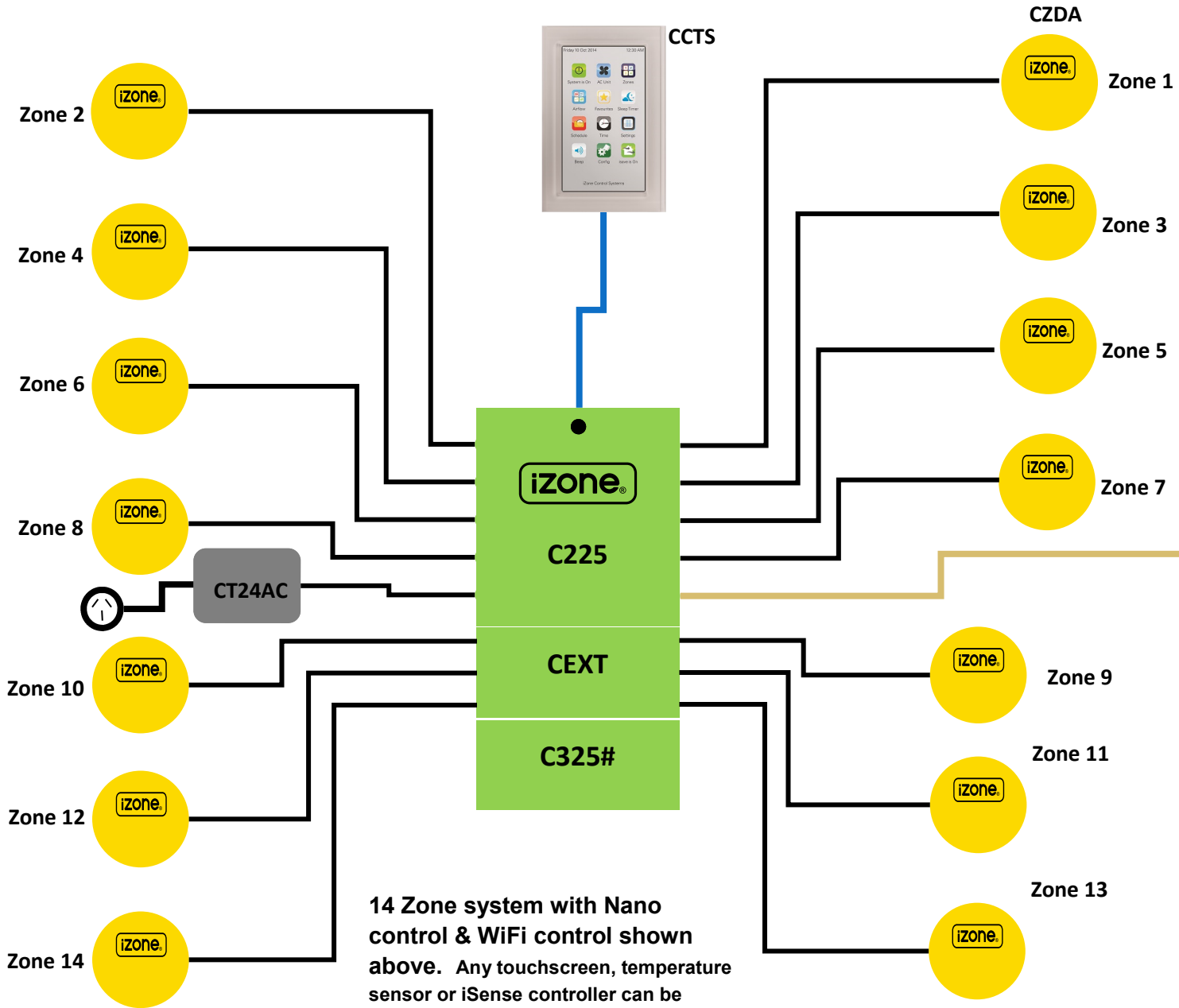
Download
the iZone
App to your
smart
phone or
tablet



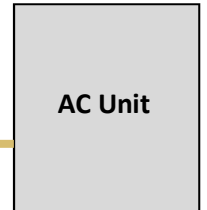
Customers
router or
modem



CL5BK
Wireless
Bridge



Make sure you
have the correct
model for the
brand of AC unit.

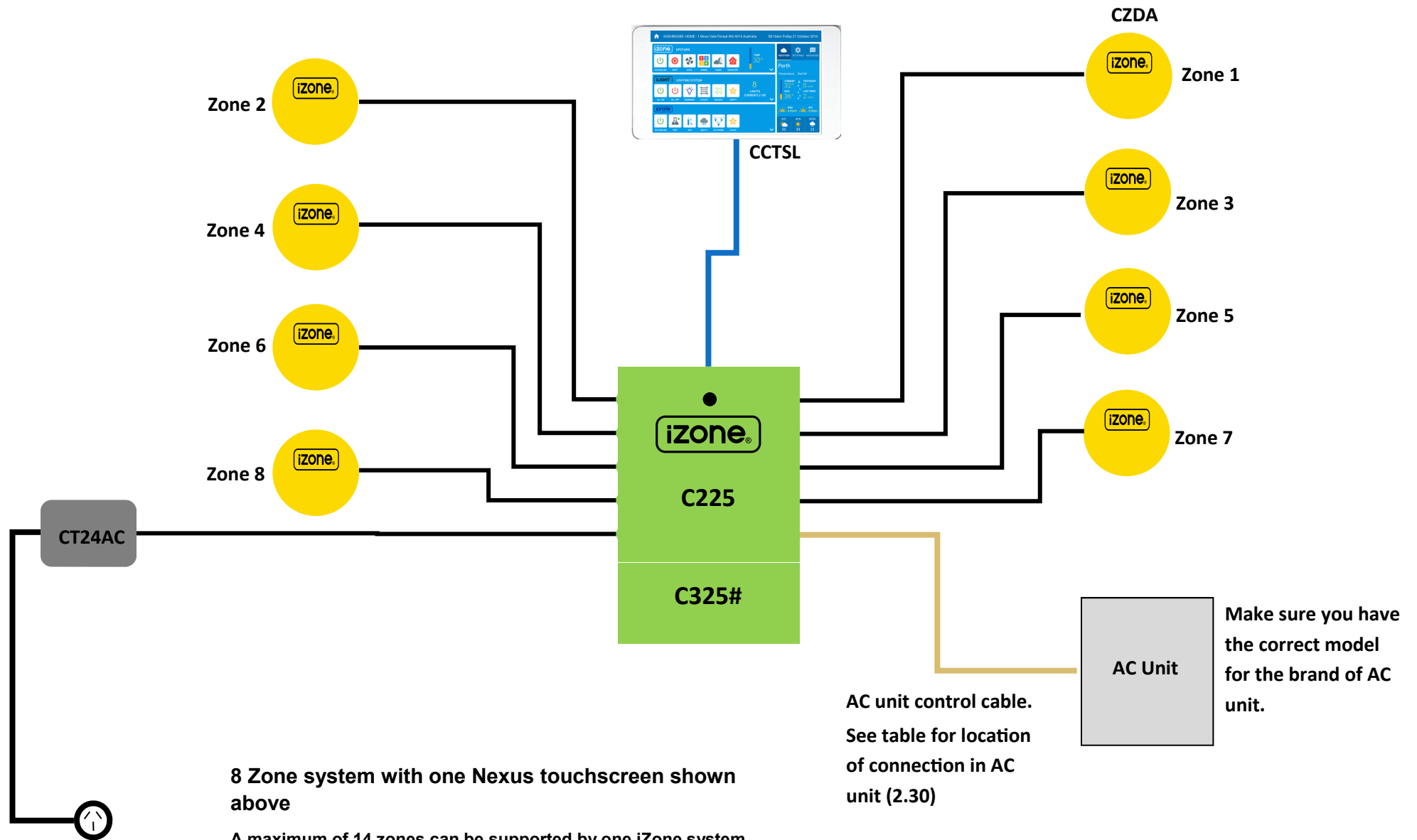


AC unit control
cable.

See table for
location of
connection in AC
unit (2.30)

14 Zone system with Nano
control & WiFi control shown
above. Any touchscreen, temperature
sensor or iSense controller can be

2.13 iZone Nexus 430 - Wiring layout up to 8 zones



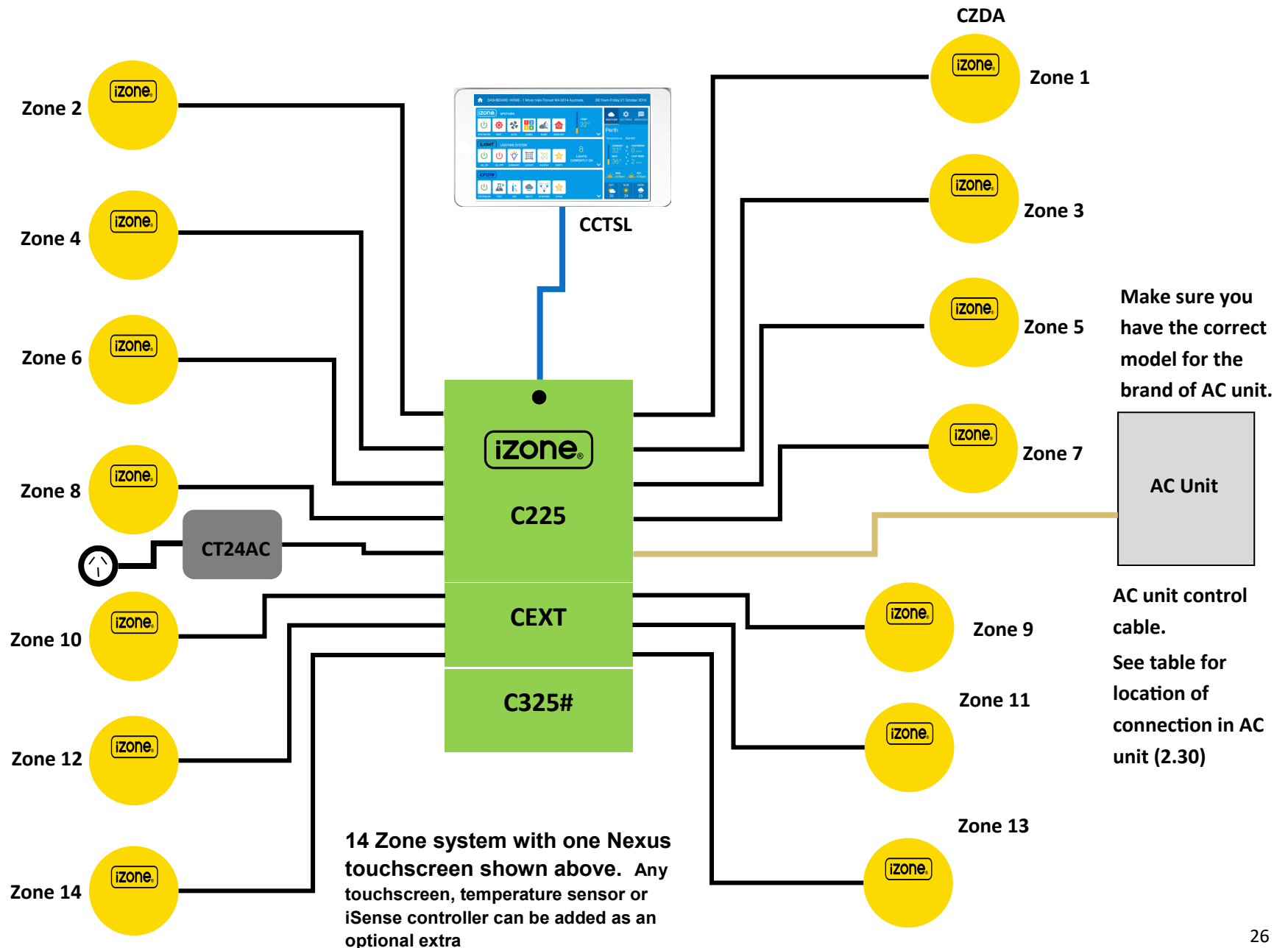
8 Zone system with one Nexus touchscreen shown above

A maximum of 14 zones can be supported by one iZone system. Any additional touchscreen, temperature sensor or iSense controller can be added as an optional extra.

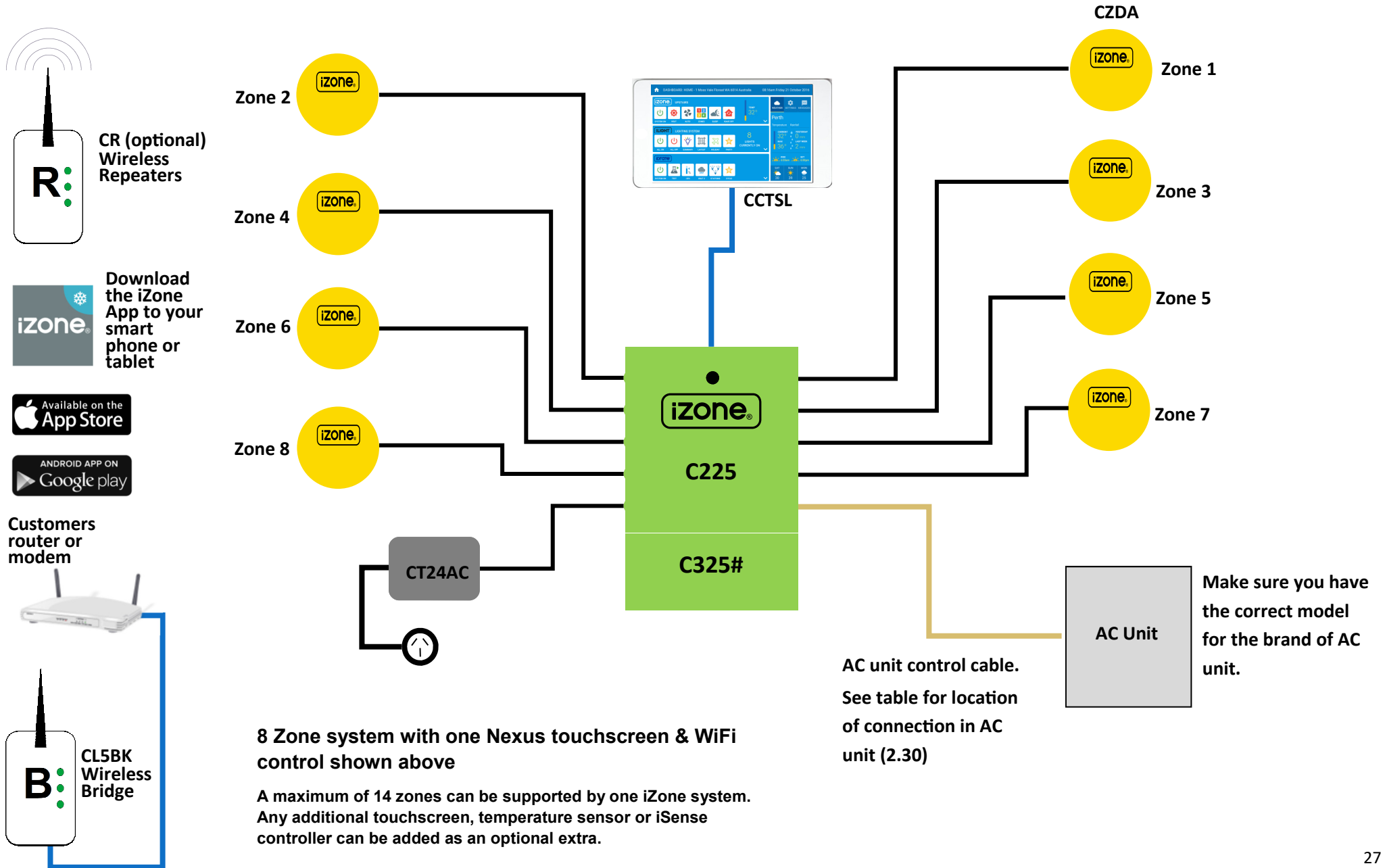
AC unit control cable. See table for location of connection in AC unit (2.30)

Make sure you have the correct model for the brand of AC unit.

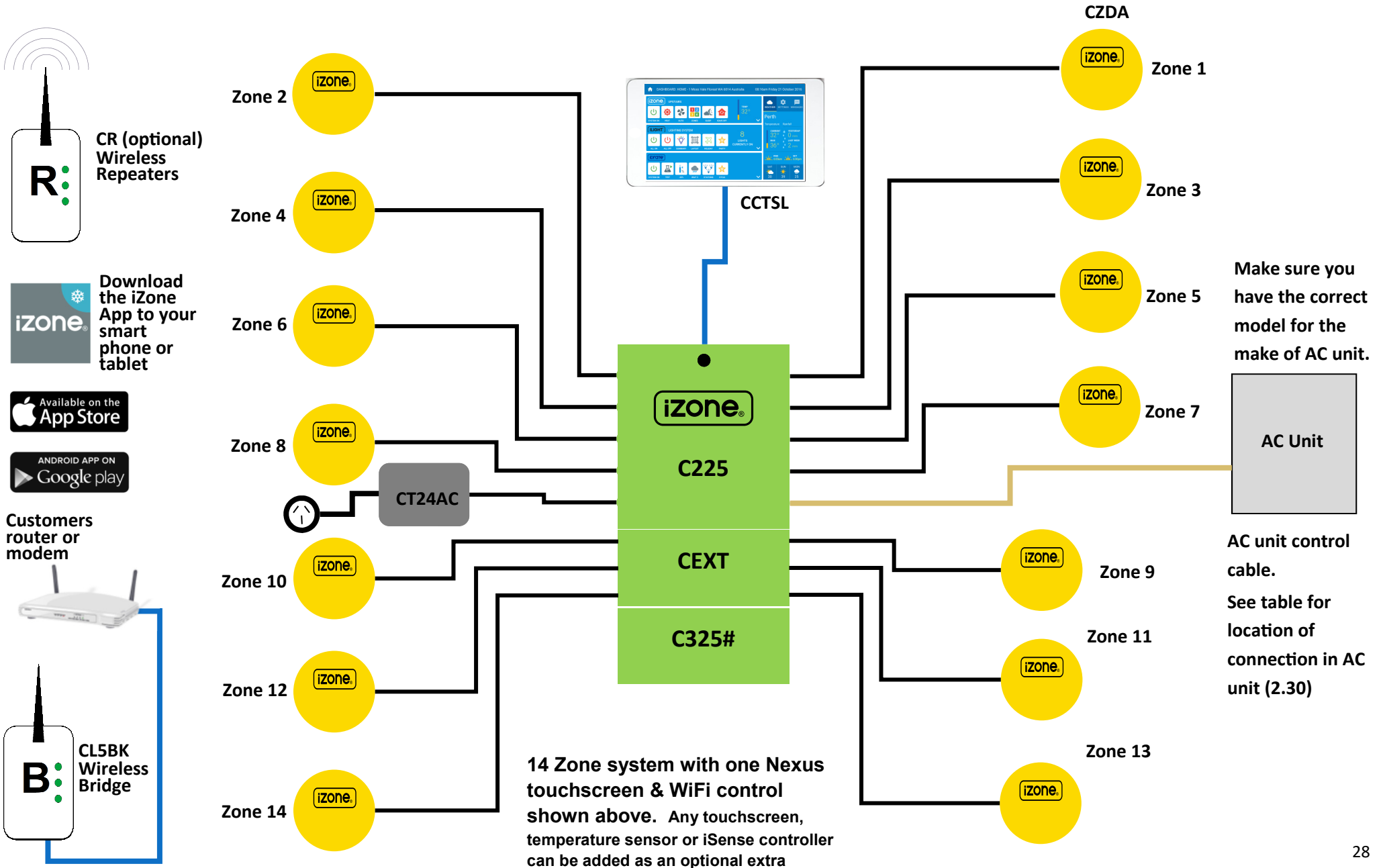
2.14 iZone Nexus 430 - Wiring layout for up to 14 zones



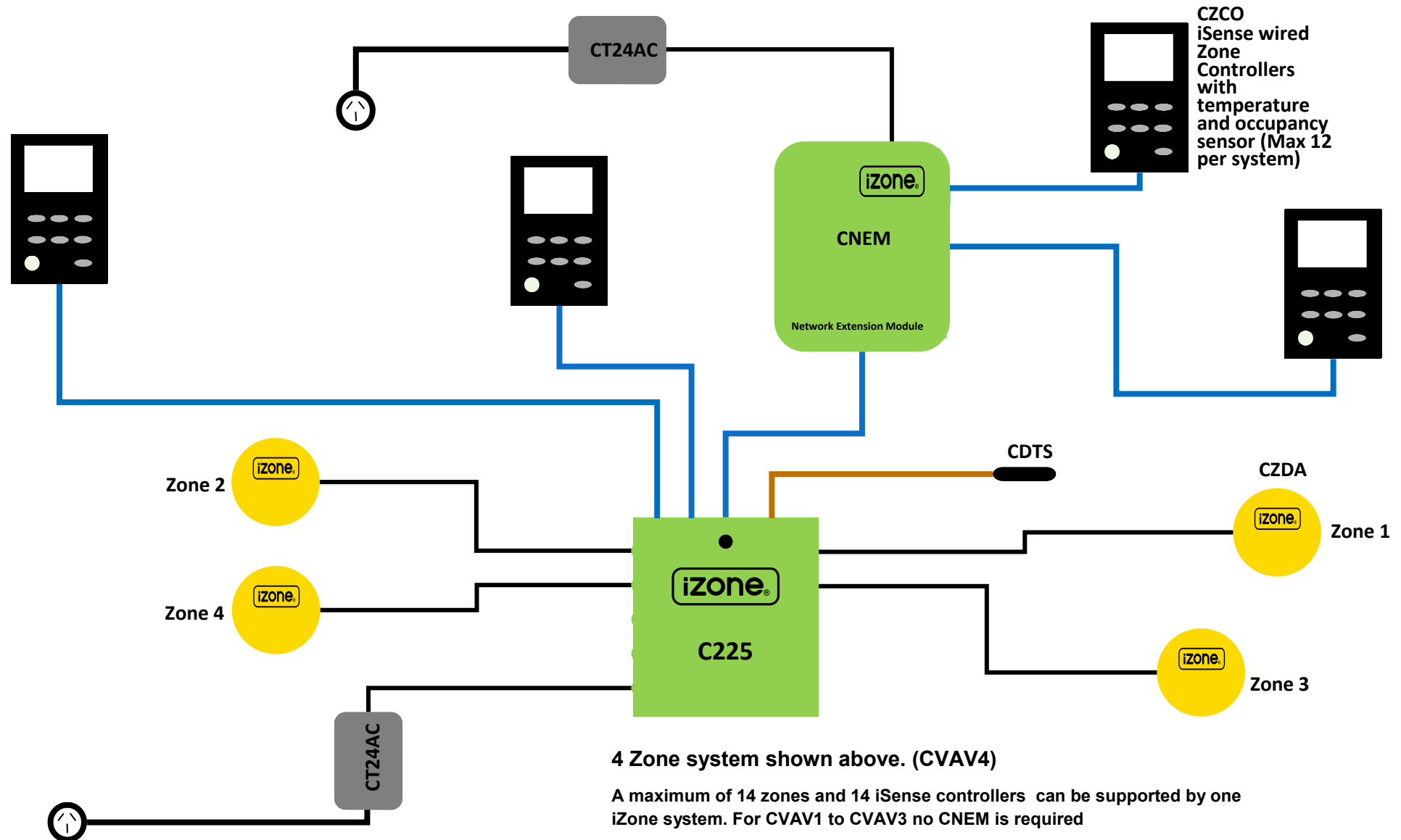
2.15 iZone Nexus 435 - Wiring layout up to 8 zones



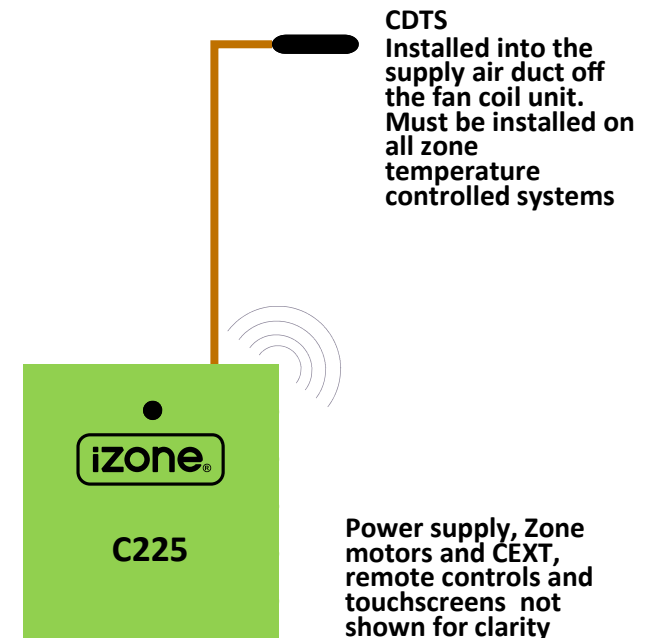
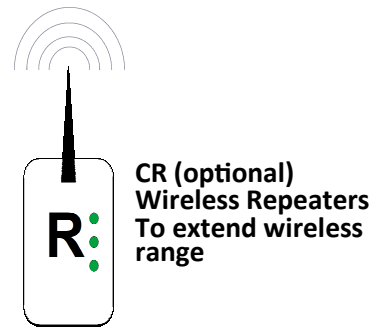
2.16 iZone Nexus 435 - Wiring layout for up to 14 zones



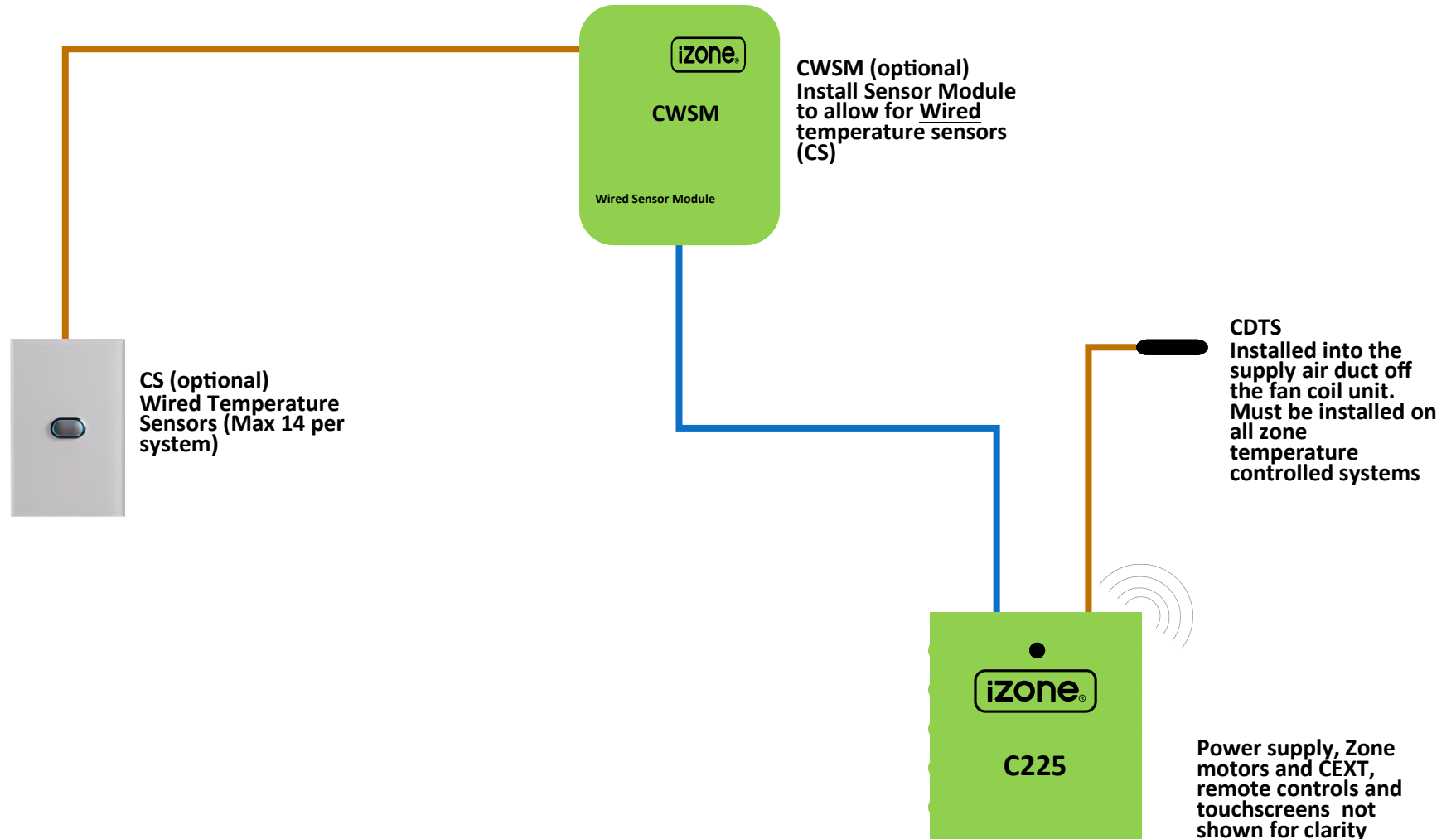
2.17 Stand alone VAV systems - Wiring layout for typical 4 zone system



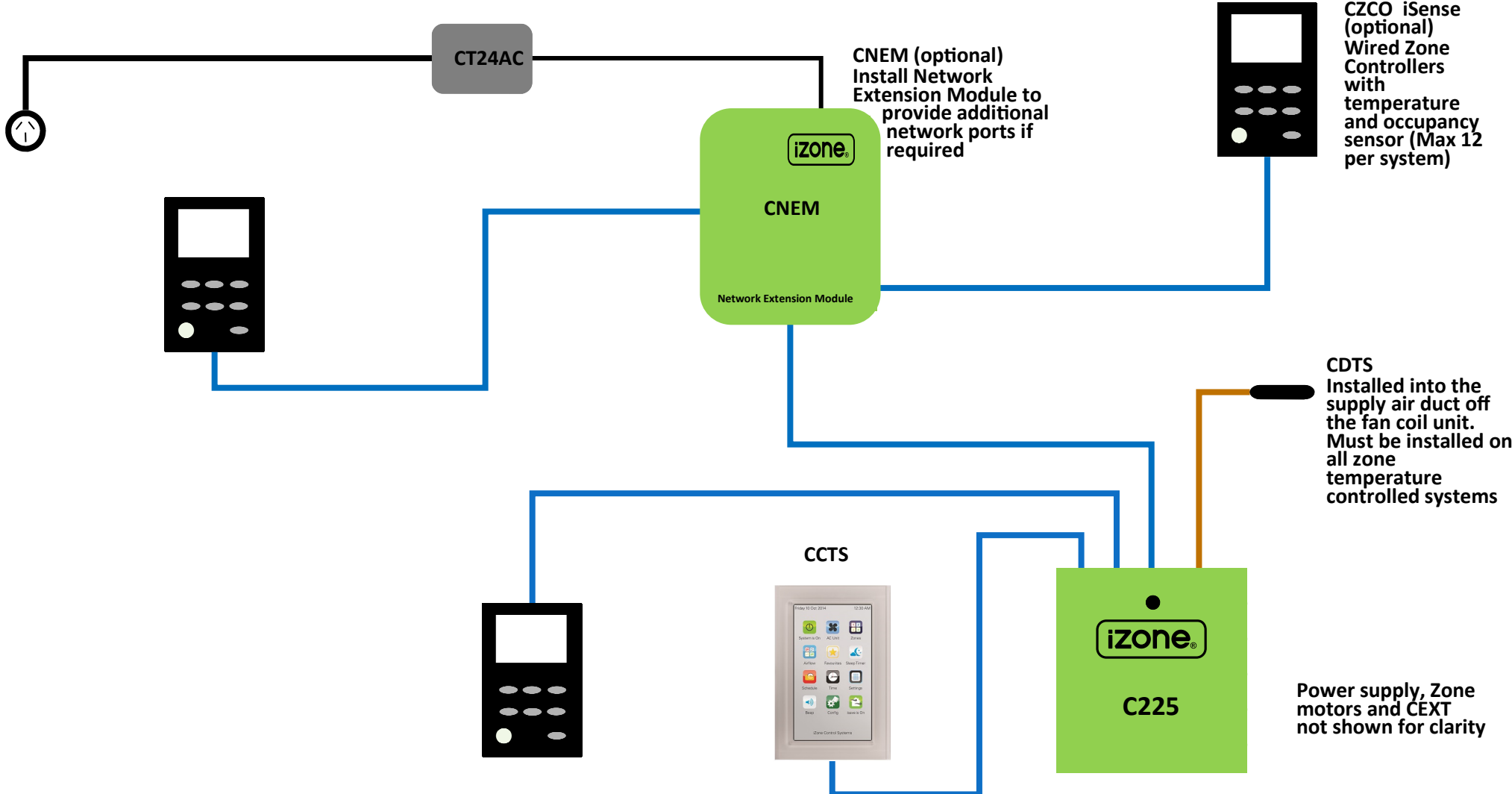
2.18 Optional equipment for wireless temperature controlled zones



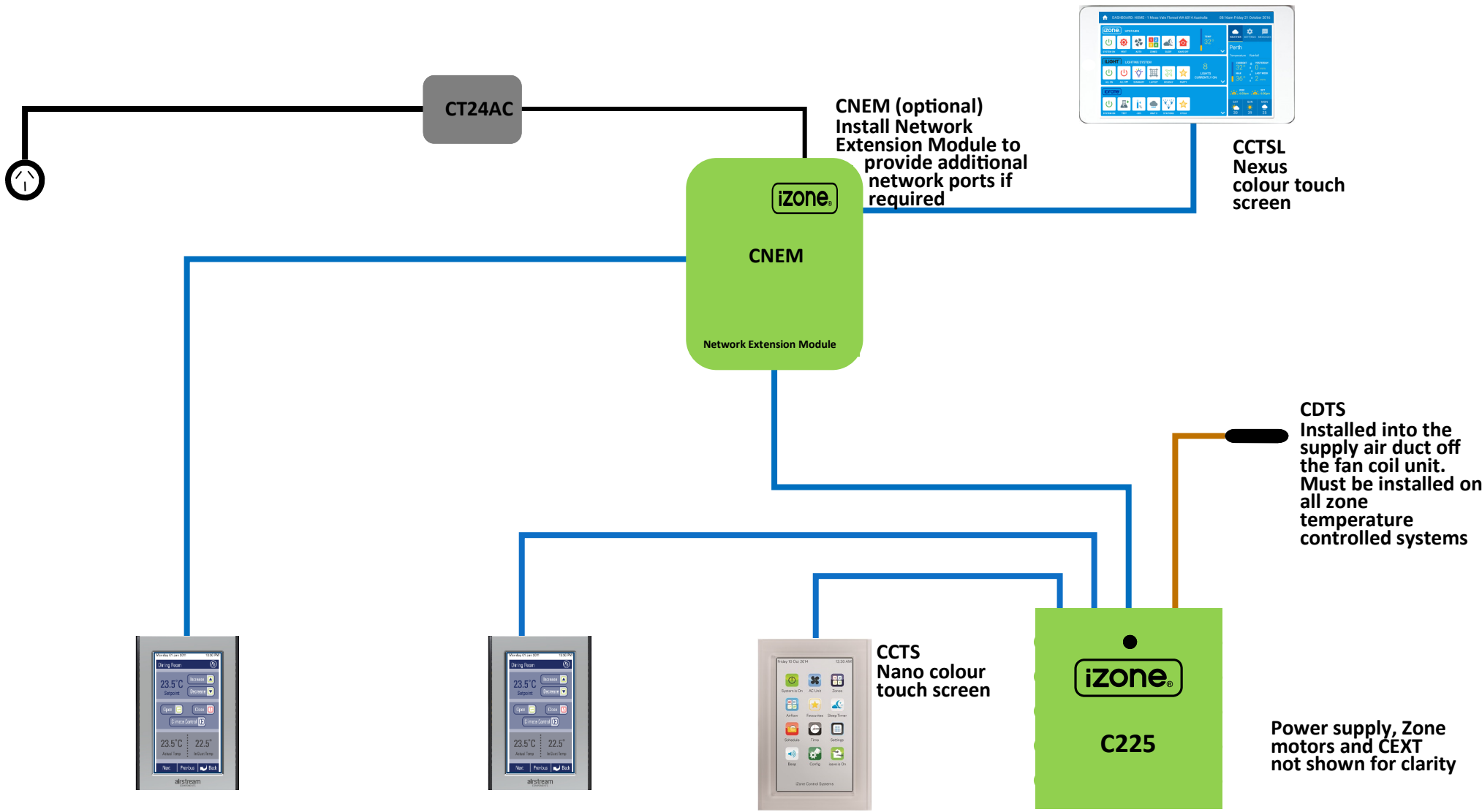
2.19 Optional equipment for wired temperature sensors



2.20 Optional equipment for iSense temperature and occupancy controlled zones



2.21 Optional equipment for colour touch screen temperature controlled zones



CNEM (optional)
Install Network Extension Module to provide additional network ports if required

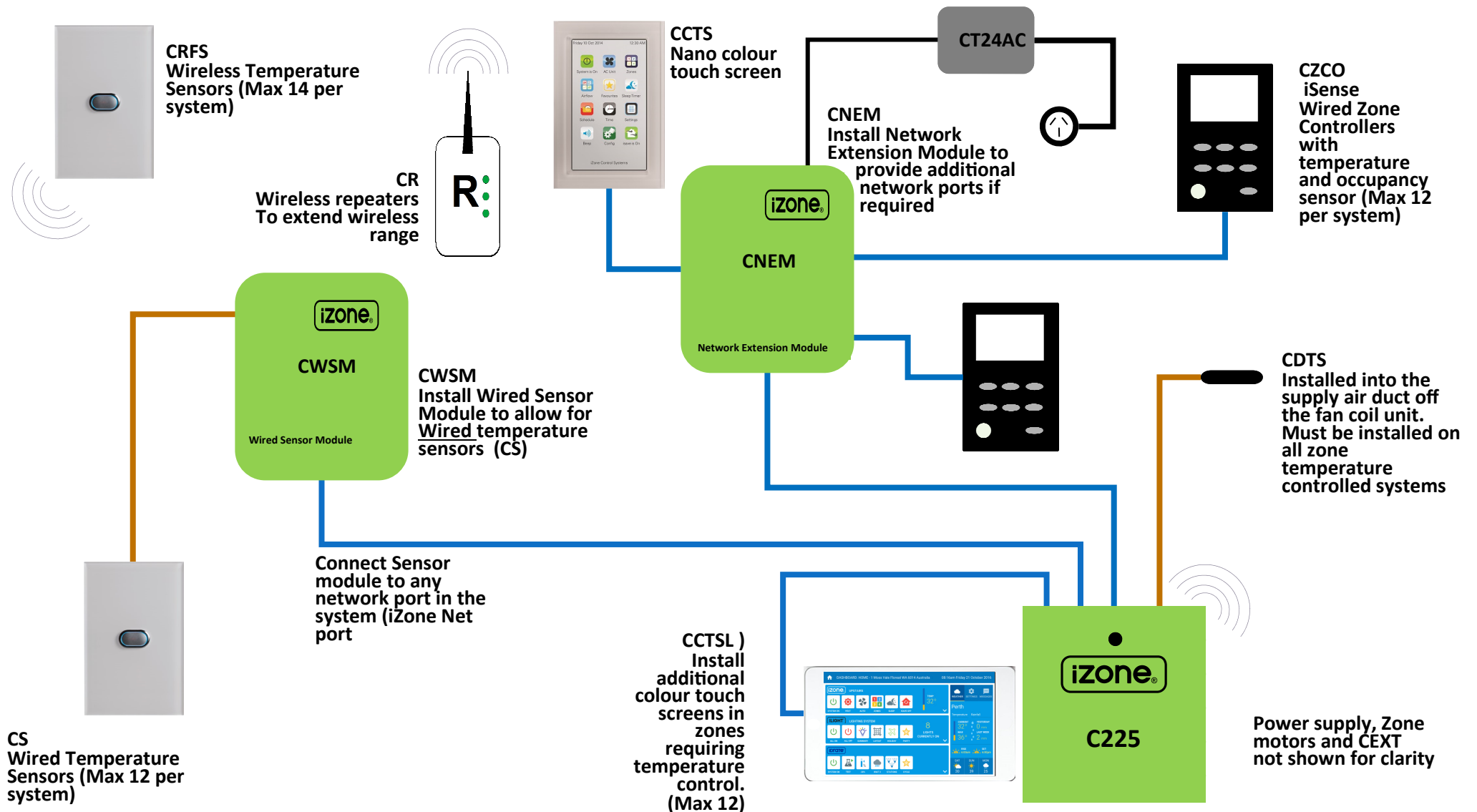
CCTSL
Nexus colour touch screen

CDTS
Installed into the supply air duct off the fan coil unit. Must be installed on all zone temperature controlled systems

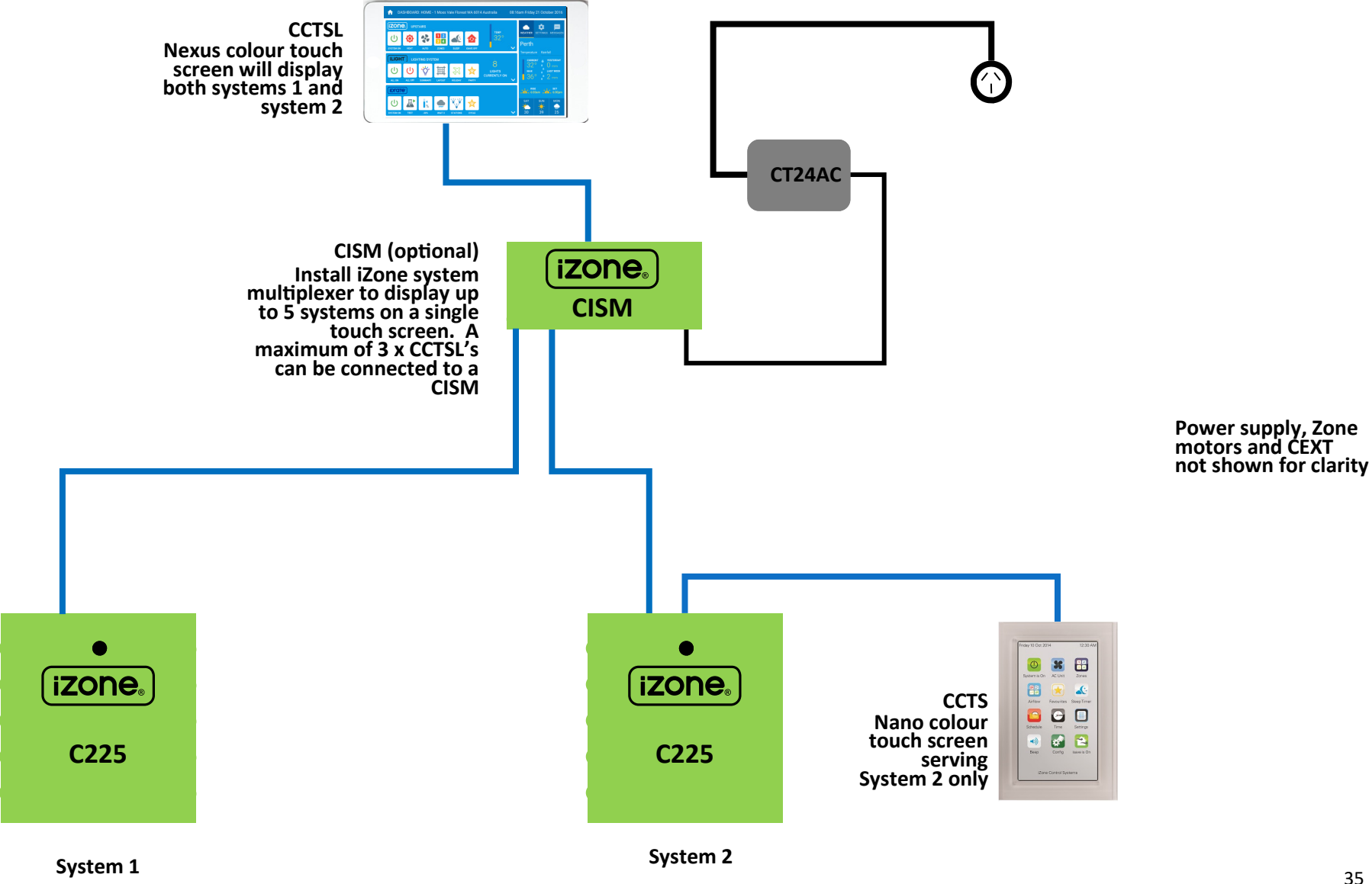
CCTS
Nano colour touch screen

Power supply, Zone motors and CEXT
not shown for clarity

2.22 Example of different types of temperature sensors on a single system



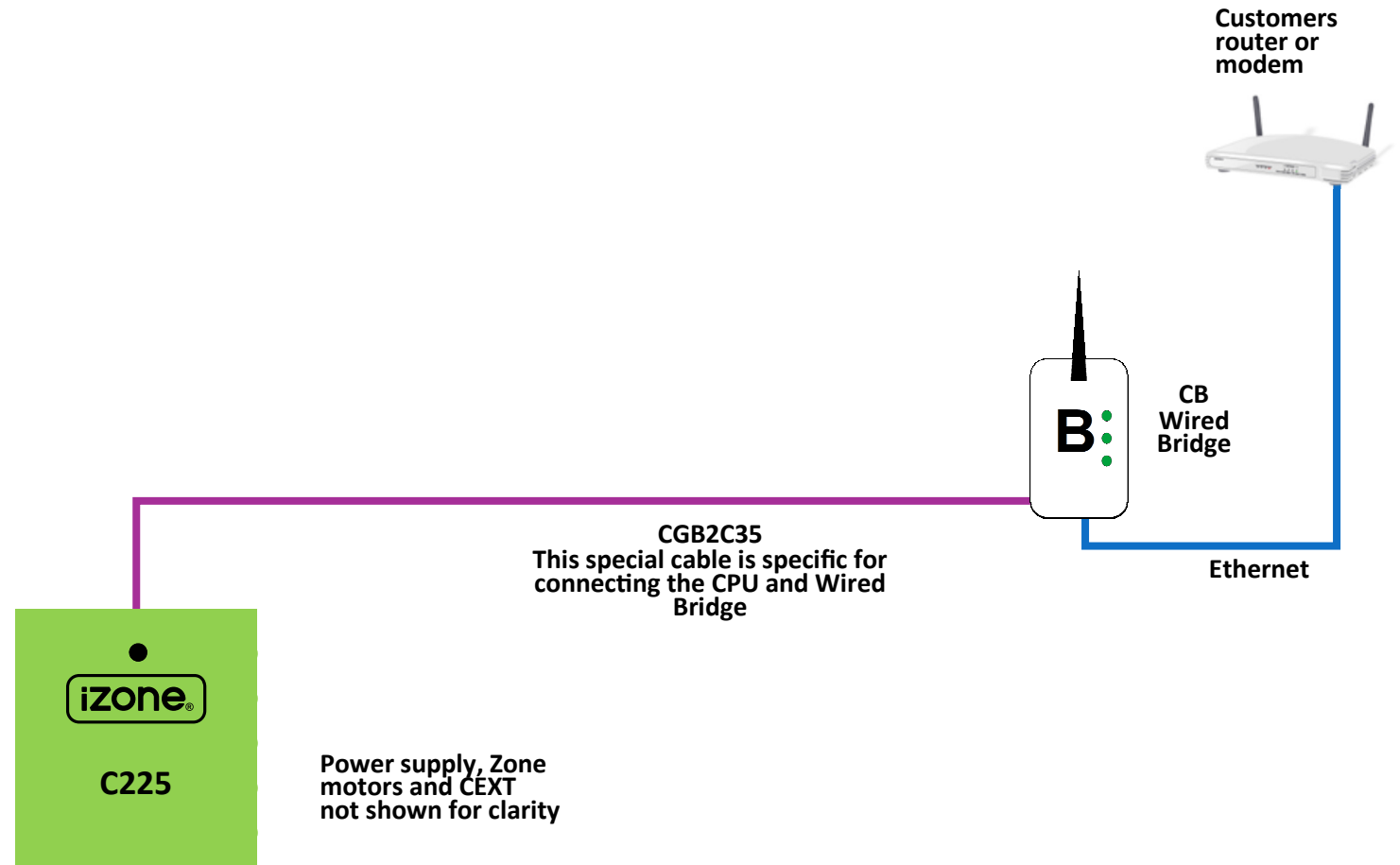
2.23 Optional equipment for running multiple systems from a single iZone screen



2.24 Optional equipment for wired WiFi Control of system



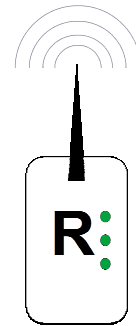
Download the iZone App to your smart phone or tablet.



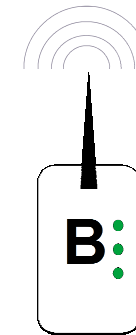
2.25 Optional equipment for wireless WiFi control of system



Download the iZone App to your smart phone or tablet.



CR (optional)
Wireless Repeaters

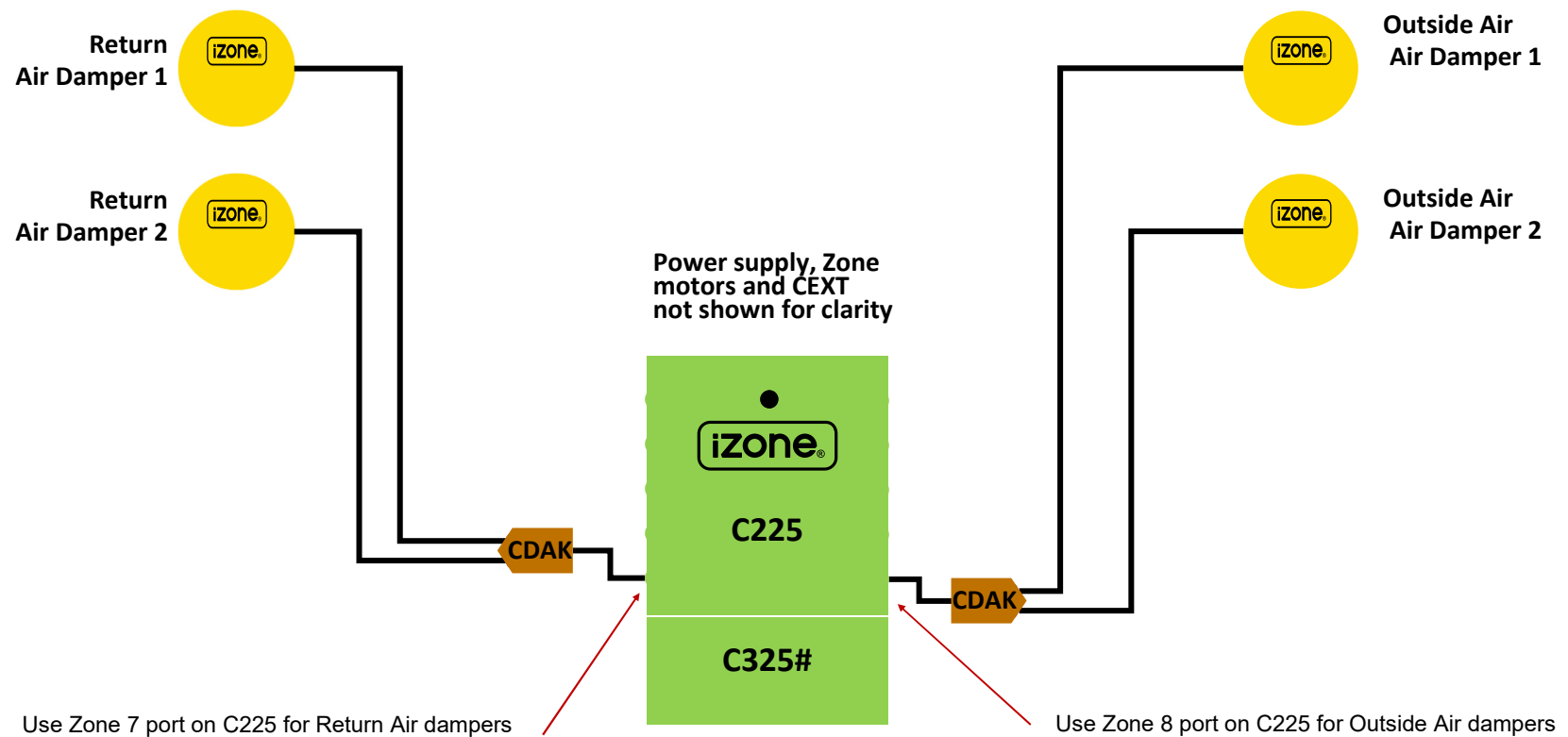


CB
Wireless
Bridge



Power supply, Zone
motors and CEXT
not shown for clarity

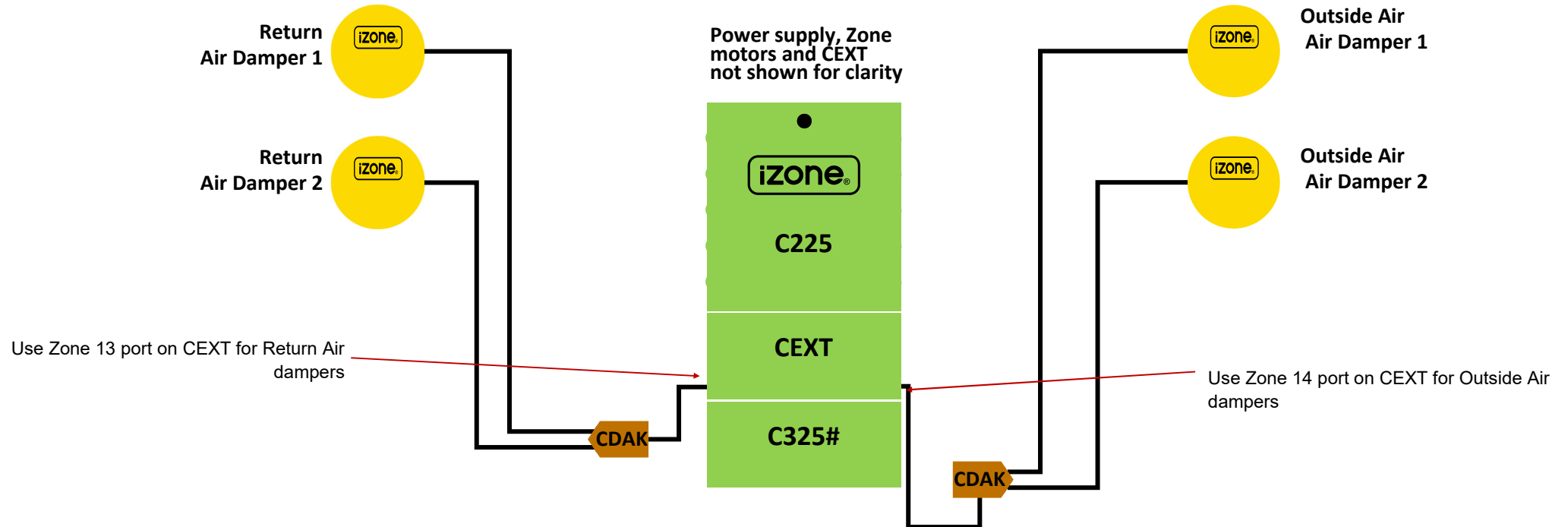
2.26 iZone 415 to 435 - Optional equipment for iSave addition (up to 6 zones)



Note:

When the iSave option is used with an 8 zone system it is limited to a maximum of 6 Zones

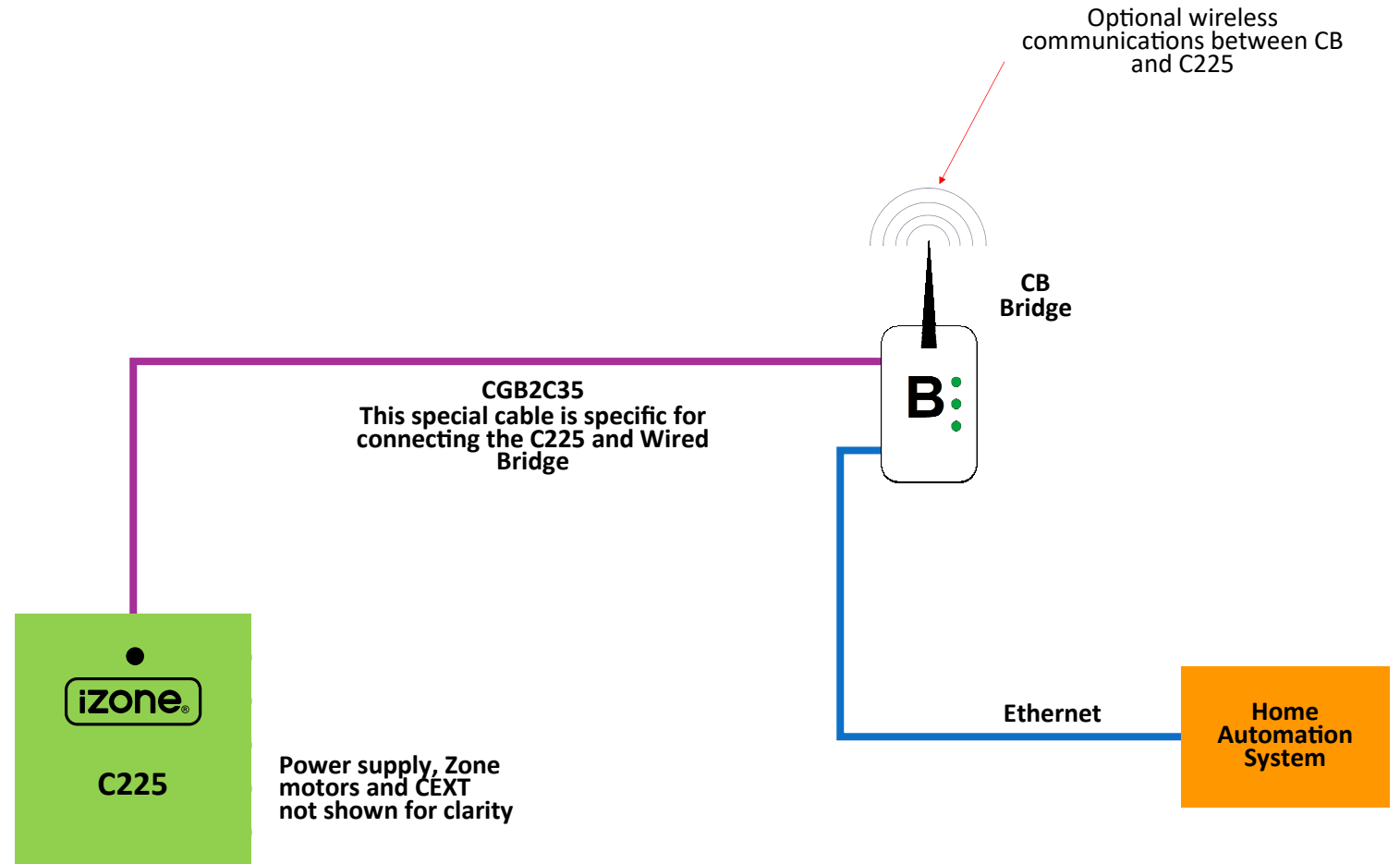
2.27 iZone 415 to 435 - Optional equipment for iSave addition



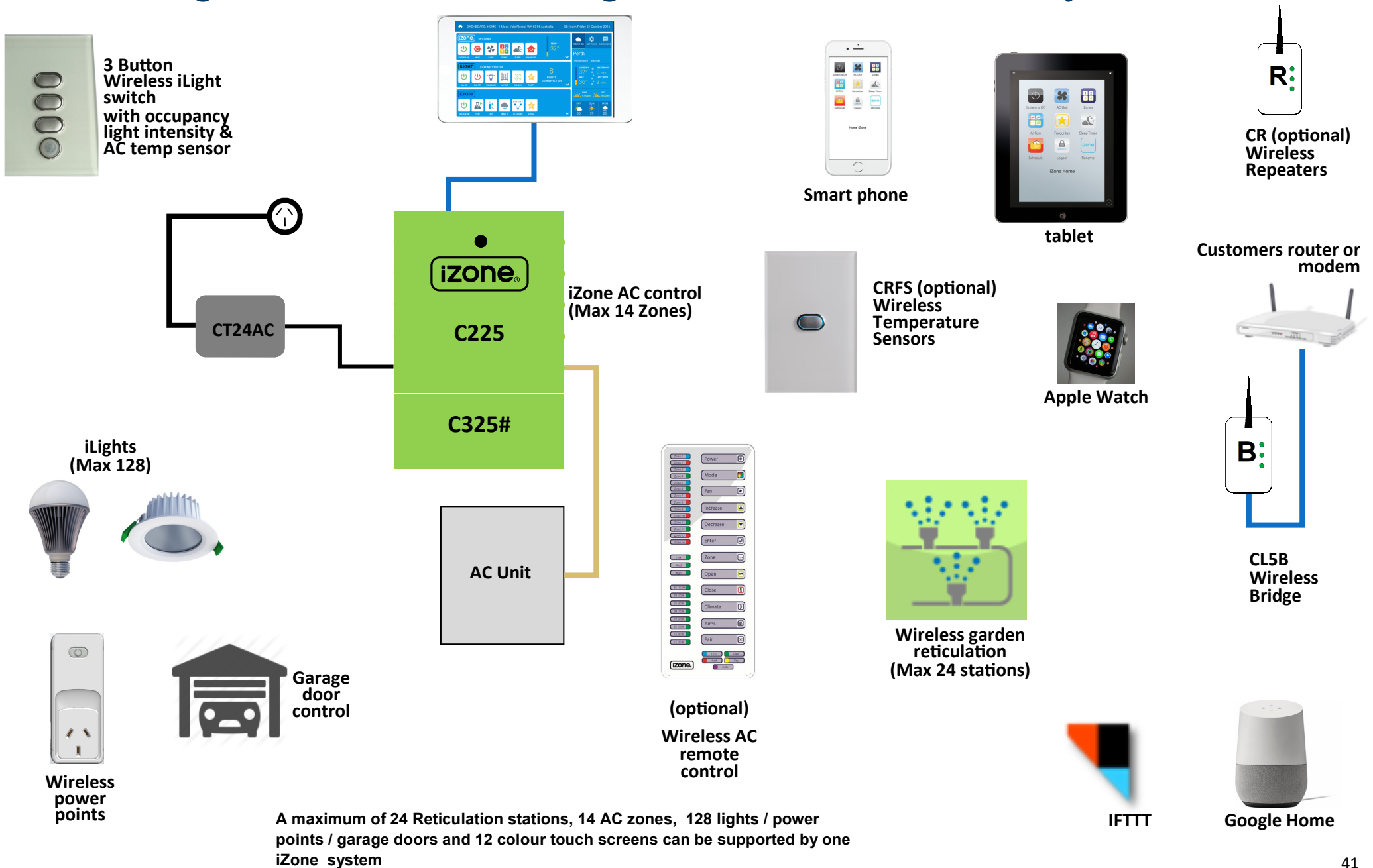
Note:

When the iSave option is used with the CEXT the iZone system is limited to a maximum of 12 Zones

2.28 Optional equipment for Ethernet Home Automation connection



2.29 Integrated iZone A/C, Lights, Garden & Security



2.30 iZone - Wiring connection to AC units

Unit Make	Connection
Daikin	Take the P1 / P2 control wire from the fan coil unit and connect it to the iZone C225 / C325D
Fujitsu*	Do not connect the 12V wire to the iZone (Usually Red). Connect the black and white wires from the fan coil unit to iZone C225 / C325F
Hitachi	Take the A / B control wire from the fan coil unit and connect it to the iZone C225 / C325H See detailed instructions on 2.34 page 46
LG	See detailed instructions on 2.31 page 43
Mitsubishi Electric	Take the Remote Controller (A / B) control wire from the fan coil unit and connect it to the AC Unit Control Cable on the C225 / C325M
MHI	Take the Remote Controller wire from the fan coil unit and connect it to the AC Unit Control Cable on the C225 / C325MHI

Unit Make	Connection
Panasonic	Take the A / B control wire from the fan coil unit and connect it to the AC Unit Control Cable on the C225 / C325P
Samsung*	Take the F3 / F4 control wire from the fan coil unit and connect it to the AC Unit Control Cable on the C225 / C325S. This connection requires the correct polarity. See detailed instructions on 2.33 page 45
Temperzone	See detailed instructions on 2.32 page 44
Toshiba	Take the A / B control wire from the fan coil unit and connect it to the AC Unit Control Cable on the C225 / C325T
York	See detailed instructions on 2.35 page 47
Haier	See detailed instructions on 2.36 page 48
Universal Control Module	The universal control module covers units with standard 24V control. See detailed instructions on 2.31 to 2.31.9 pages 49-58

Certain models only. Check with Airstream for compatibility prior to ordering

2.31 iZone - Wiring connection to LG units

Unit Make

LG

LG condensing unit must be supplied with an optional PI485 Gateway (M) board in the condensing unit. LG dipswitch settings are as follows:

- ⇒ Dip switches 1 and 4 **ON**
- ⇒ All others are **OFF**

Connection

1. Connect a shielded, 2 core, twisted pair control cable from the C225 / C325L to the PI485 Gateway (M) board in the condensing unit. (This cable is supplied by the installer). Polarity is critical see Fig (C) & (D) for correct connection.

Shielded, 2 core,
twisted pair control
cable (not supplied)

B
A

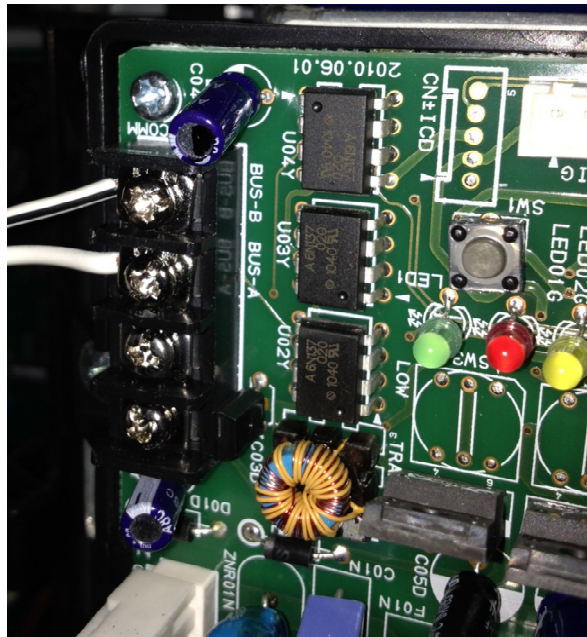


Fig (C) - LG PI485 Gateway (M) board in condensing unit

Shielded, 2 core,
twisted pair control
cable (not supplied)

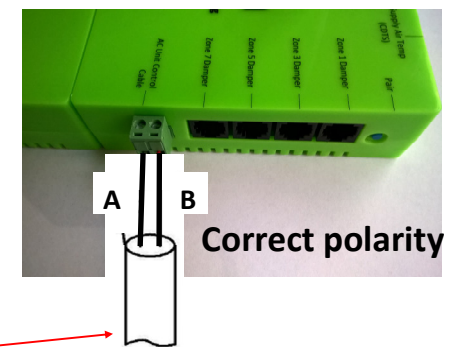


Fig (D) - iZone C225 / C325L

2.32 iZone - Wiring connection to Temperzone units

Unit Make

Connection

Temperzone

1. Connect a shielded, 2 core, twisted pair control cable from the C225 to the UC8 board in the condensing unit. (This cable is supplied by the installer). Polarity is critical see Fig A & B for correct connection.
2. Ensure the dip switches in the condensing unit are set correctly for the installed compressor type (digital / fixed speed) and fan speed control. Refer to the Temperzone service manual.

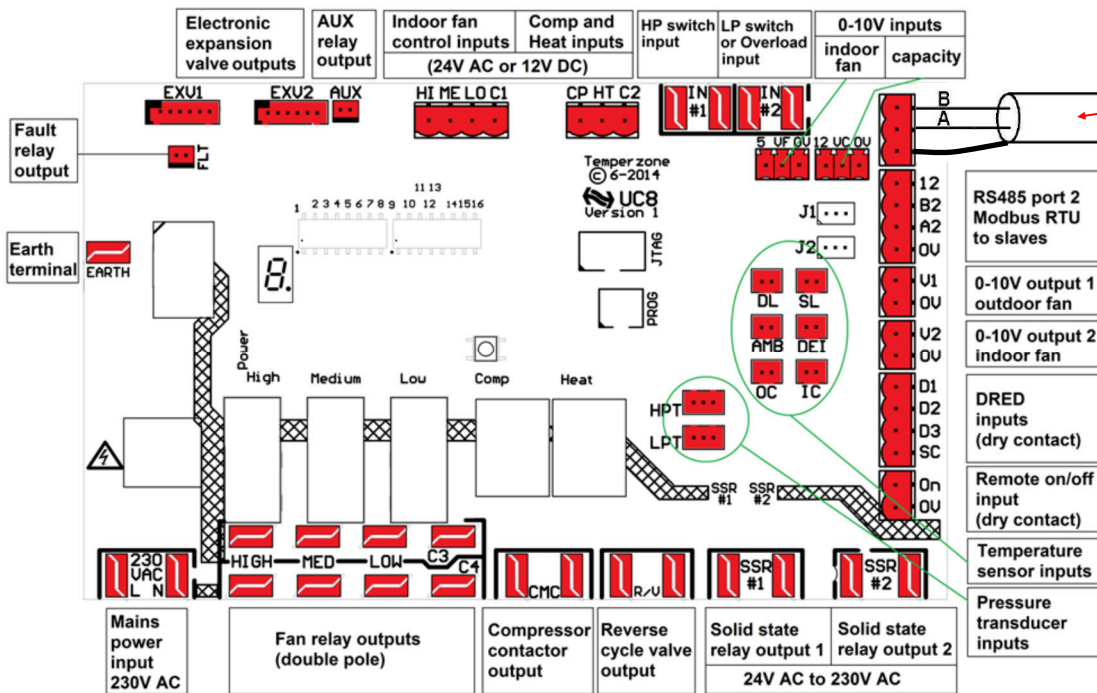
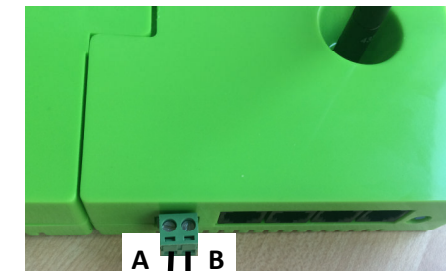


Fig (A) - Temperzone UC8 outdoor board

Shielded, 2 core, twisted pair control cable (not supplied)



Correct polarity

Shielded, 2 core, twisted pair control cable (not supplied)

Fig (B) - iZone C225 / C325TZ

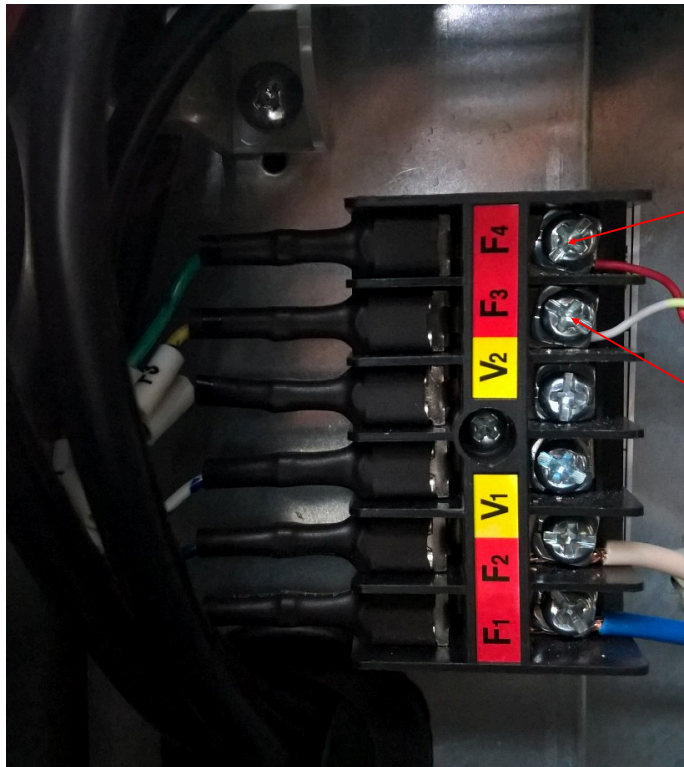
2.33 iZone - Wiring connection to Samsung units

Unit Make

Samsung

Connection

1. Connect a shielded, 2 core, twisted pair control cable from the C225 / C325S to the F3 / F4 in the fan coil unit. (This cable is supplied by the installer). Polarity is critical see Fig (F) & (G) below for correct connection.

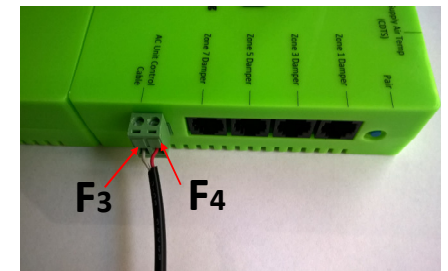


F4

Shielded, 2 core,
twisted pair control
cable (not supplied)

F3

Fig (F) - Samsung indoor fan coil unit terminals



Shielded, 2 core,
twisted pair control
cable (not supplied)

Correct polarity

Fig (G) - iZone C225 / C325S

2.34 iZone - Wiring connection to Hitachi units

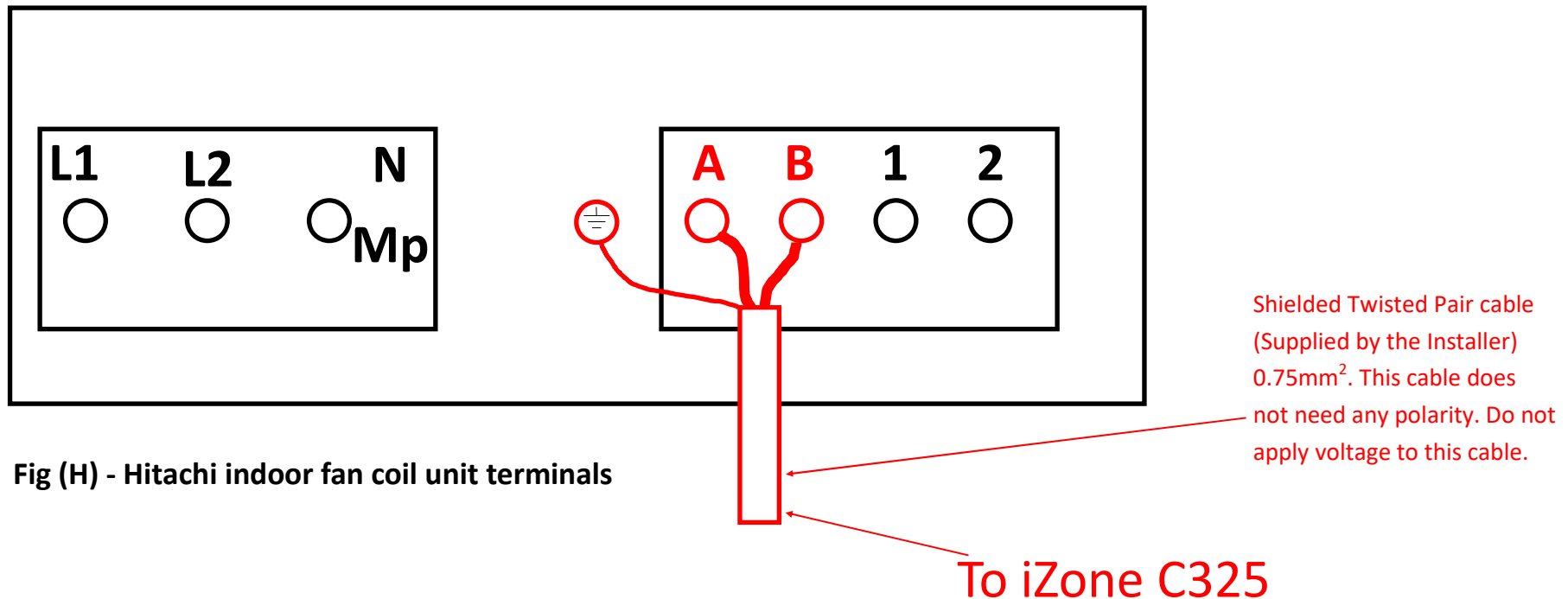
Unit Make

Hitachi

Connection

1. Connect a shielded, 2 core, twisted pair control cable from the C225 / C325H to the A / B terminals and earth in the fan coil unit. (This cable is supplied by the installer). Polarity is not critical see Fig (H) for correct connection.

Indoor Unit



2.35 iZone - Wiring connection to York units

Unit Make

York

Connection

1. Connect a shielded, 2 core, twisted pair control cable from the C225 / C325Y to the X / Y in the fan coil unit. (This cable and connector is supplied by York). Polarity is critical see Fig (i) (J) & (K) below, for correct connection.

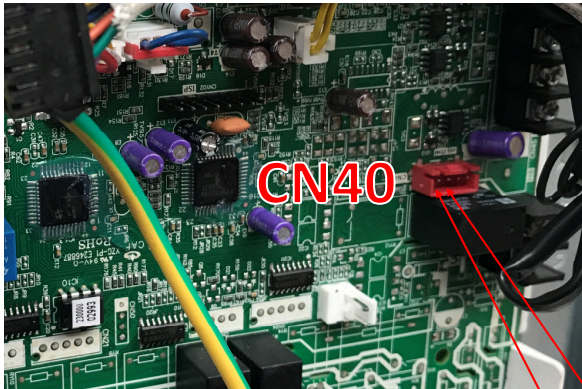
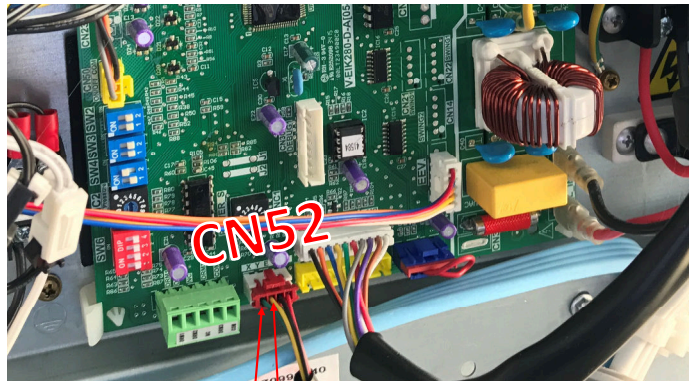


Fig (i) - York (1 Phase) indoor fan coil unit terminals

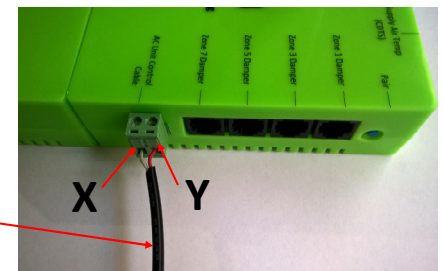
XY



XY

Fig (j) - York (3Phase) indoor fan coil unit terminals

Fig (K) - iZone C225 / C325S



Shielded, 2 core, twisted pair control cable (not supplied)

Correct polarity

2.36 iZone - Wiring connection to Haier units

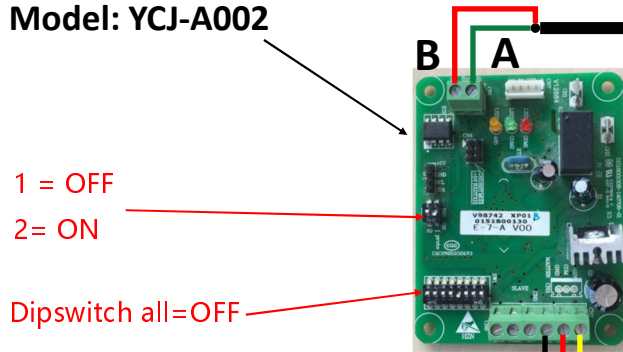
Unit Make

Haier

Connection

1. Connect a shielded, 2 core, twisted pair control cable from the C225 / C325HI to the A / B terminals on the Haier Interface board YCJ-A002. Connect the interconnecting cable supplied by Haier to CN24 in the fan coil unit of the Haier Interface board YCJ-A002. Set the dipswitches as shown below. Polarity is critical.

Fig (L) Haier Interface board
Model: YCJ-A002



Interconnecting cable
supplied by Haier

CN24

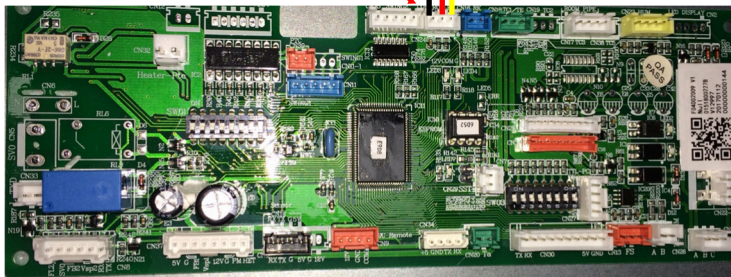
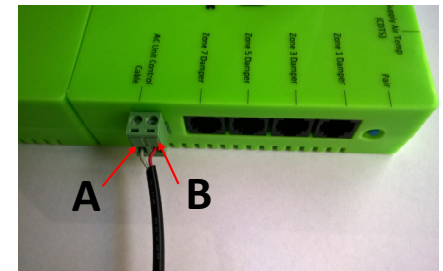


Fig (M) Haier FCU board

Fig (N) - iZone C225 / C325HI



Correct polarity

Shielded, 2 core,
twisted pair control
cable (not supplied)

2.31 iZone - Wiring connection to Universal Control Module

Unit Make

Units that accept 24V control signals:

Gas Heating Options

- Gas Heating thermostat only
- 1 Stage Gas Heat + 1 x Fan Speed
- 1 Stage Gas Heat + 1 Stage Cool + 1 x Fan Speed
- 2 Stage Gas Heat + 1 Stage Cool + 1 x Fan Speed
- 2 Stage Gas Heat + 2 Stage Cool + 1 x Fan Speed

Reverse Cycle Options

- 1 Stage R/C + 1 x Fan Speed
- 1 Stage R/C + 3 x Fan Speed
- 1 Stage R/C + Aux Heating + 1 x Fan Speed
- 2 Stage R/C + Aux Heating + 1 x Fan Speed

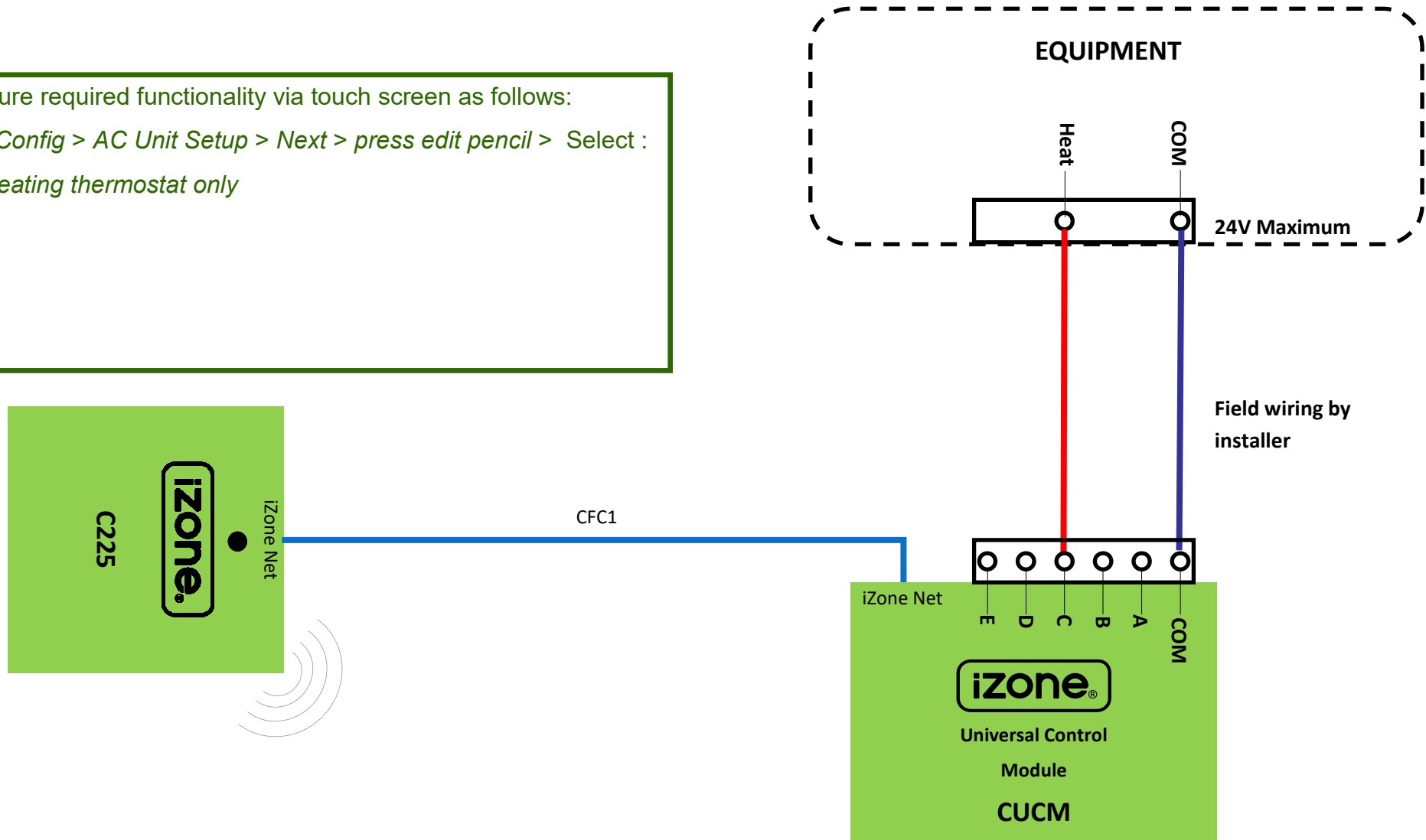
Connection

1. Connect cables as shown on the wiring diagram for the respective option. (24V maximum)
2. Configure the correct system type on the touch screen.
3. Configure the Run on timer, anti-cycle timer, 2nd stage offset, 2nd stage delay and fan control on the touch screen, as applicable
4. Test for correct operation.

2.31.1 iZone - Wiring connection to Universal Control Module

Gas heating thermostat only

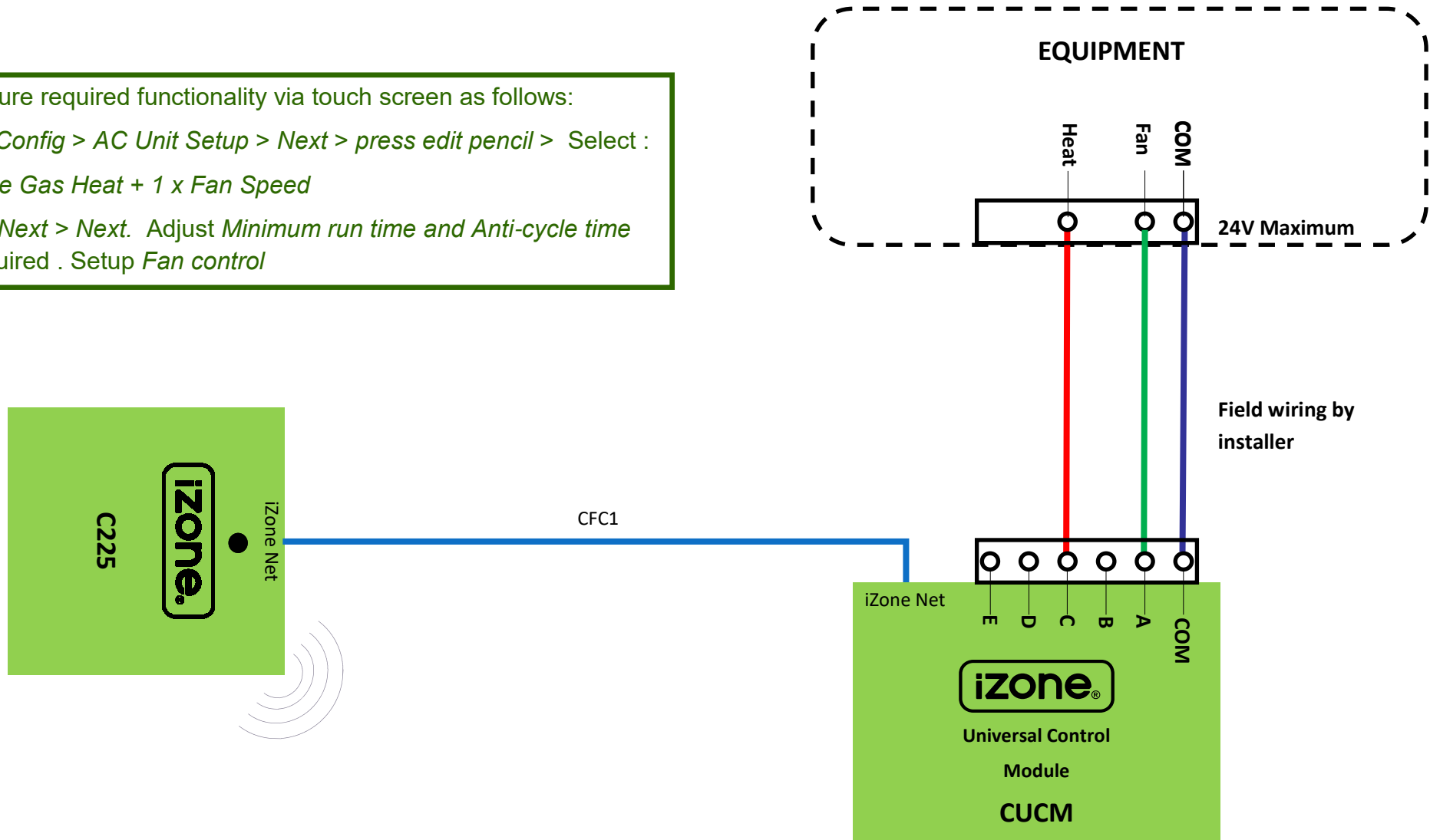
Configure required functionality via touch screen as follows:
Go to *Config > AC Unit Setup > Next > press edit pencil > Select : Gas Heating thermostat only*



2.31.2 iZone - Wiring connection to Universal Control Module

1 Stage Gas Heating + 1 x Fan Speed

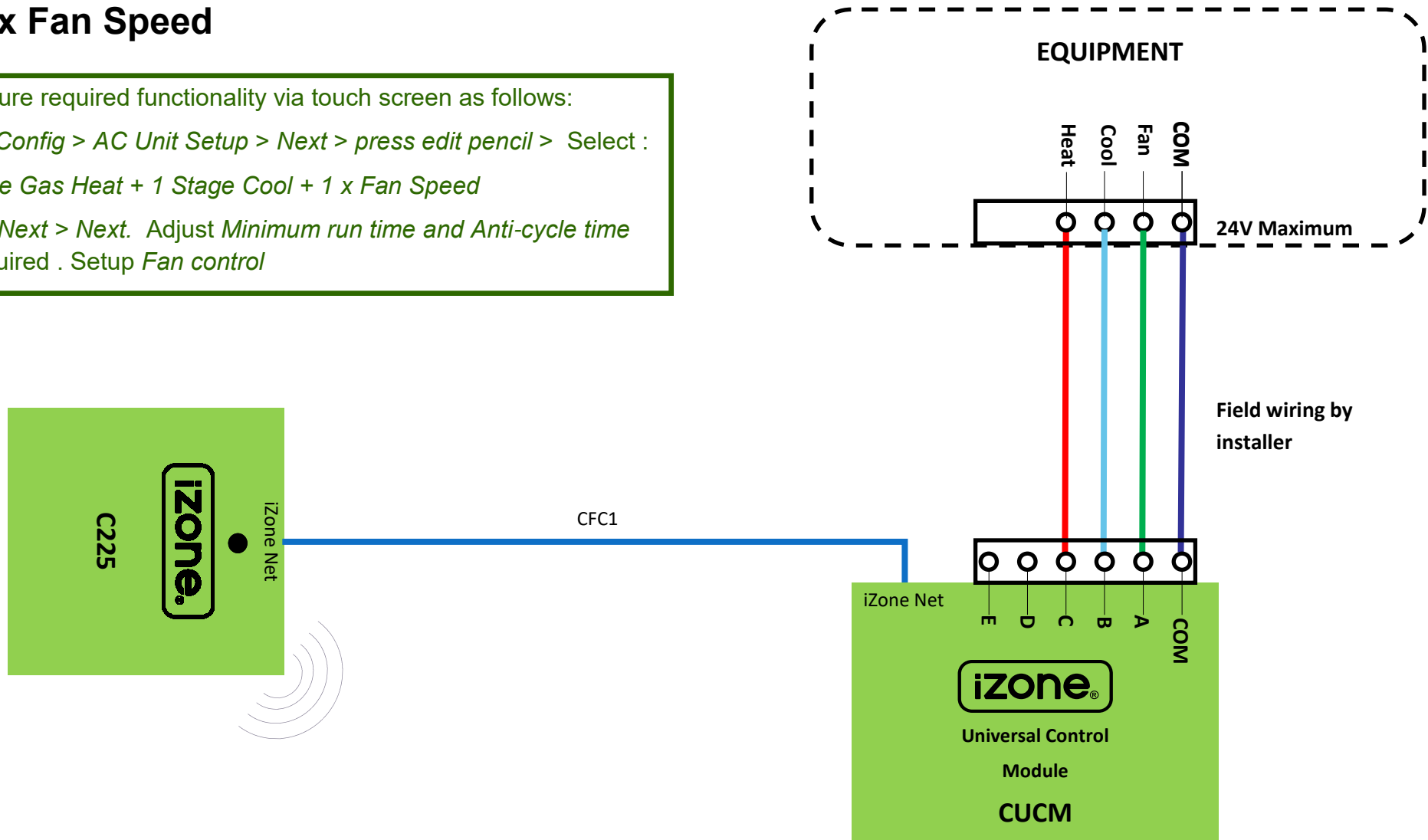
Configure required functionality via touch screen as follows:
Go to *Config > AC Unit Setup > Next > press edit pencil > Select : 1 Stage Gas Heat + 1 x Fan Speed*
Press *Next > Next*. Adjust *Minimum run time and Anti-cycle time* as required . Setup *Fan control*



2.31.3 iZone - Wiring connection to Universal Control Module

1 Stage Gas Heating + 1 Stage Cooling + 1 x Fan Speed

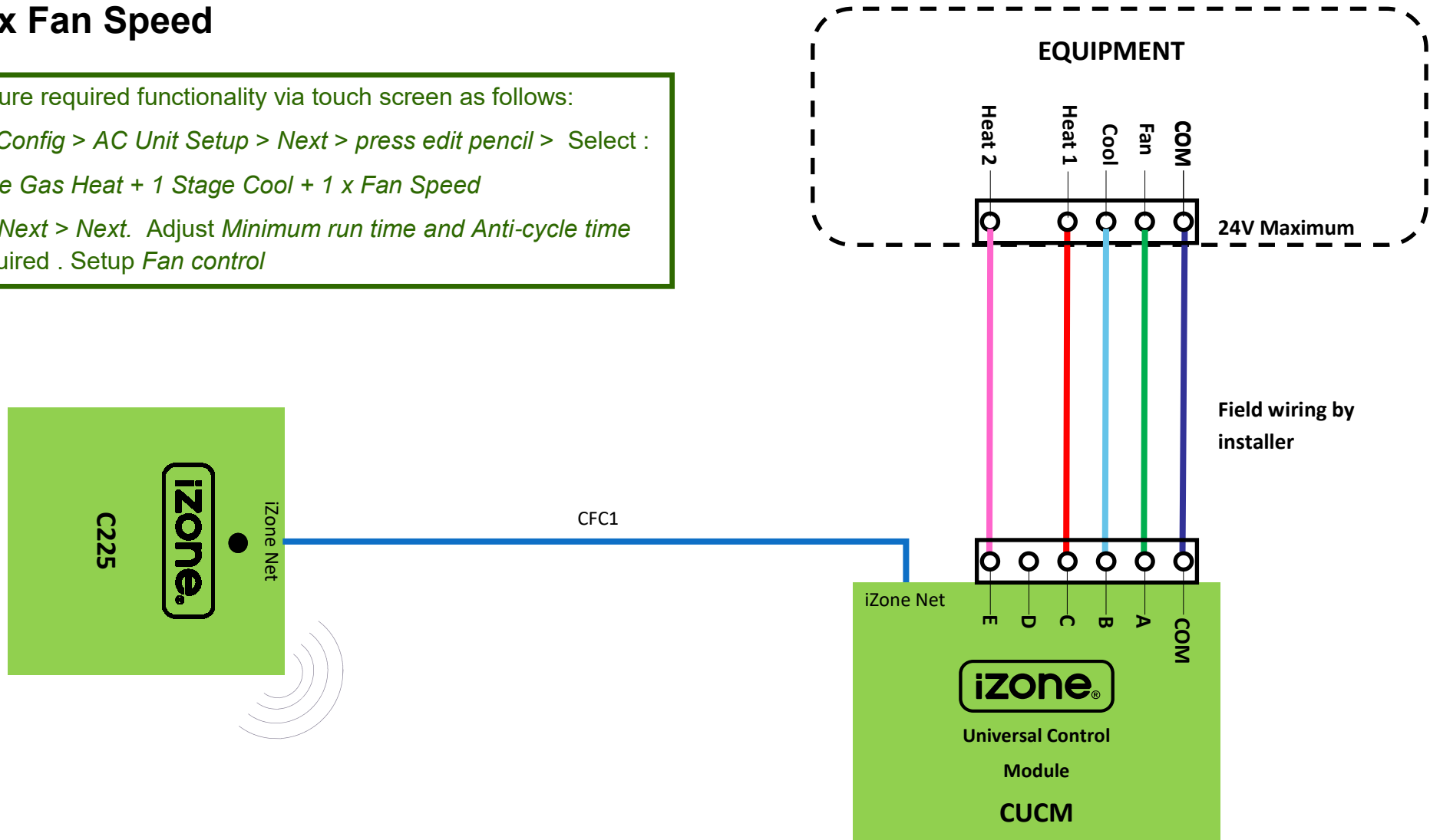
Configure required functionality via touch screen as follows:
Go to *Config > AC Unit Setup > Next > press edit pencil > Select :
1 Stage Gas Heat + 1 Stage Cool + 1 x Fan Speed*
Press *Next > Next*. Adjust *Minimum run time and Anti-cycle time*
as required . Setup *Fan control*



2.31.4 iZone - Wiring connection to Universal Control Module

2 Stage Gas Heating + 1 Stage Cooling + 1 x Fan Speed

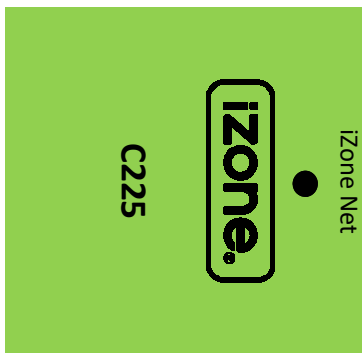
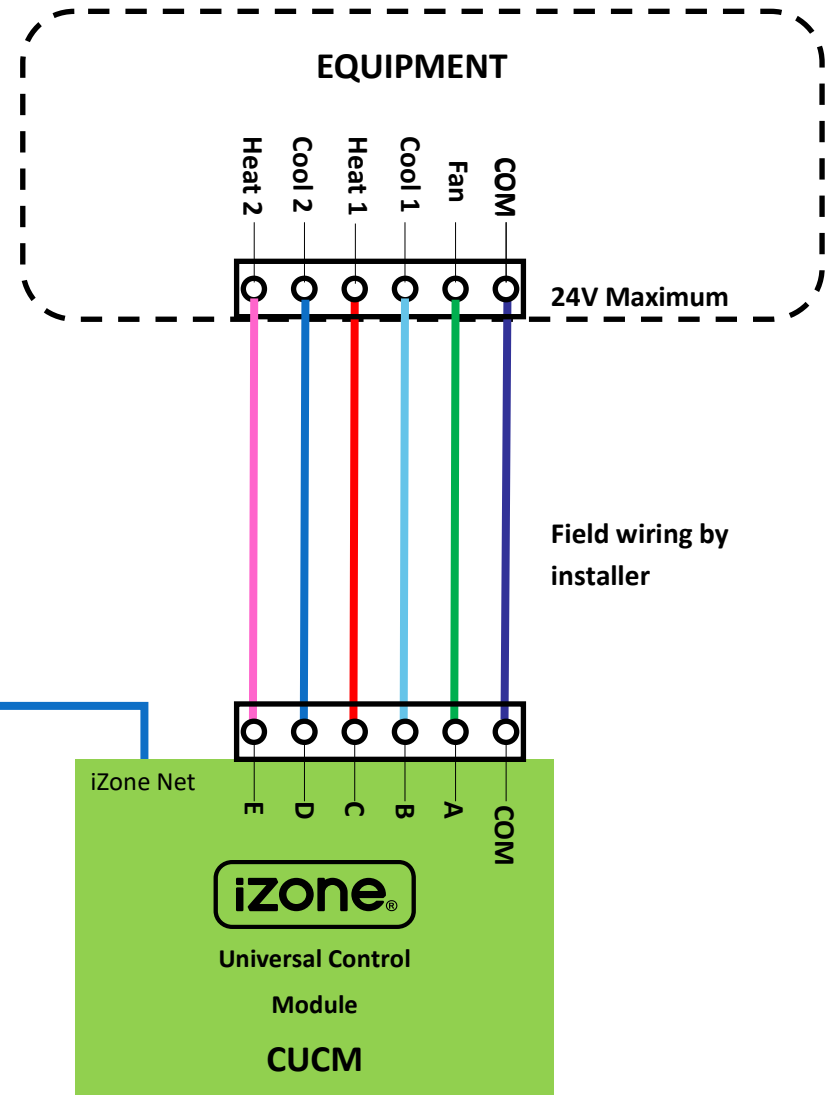
Configure required functionality via touch screen as follows:
Go to *Config > AC Unit Setup > Next > press edit pencil > Select :
2 Stage Gas Heat + 1 Stage Cool + 1 x Fan Speed*
Press *Next > Next*. Adjust *Minimum run time and Anti-cycle time*
as required . Setup *Fan control*



2.31.5 iZone - Wiring connection to Universal Control Module

2 Stage Gas Heating + 2 Stage Cooling + 1 x Fan Speed

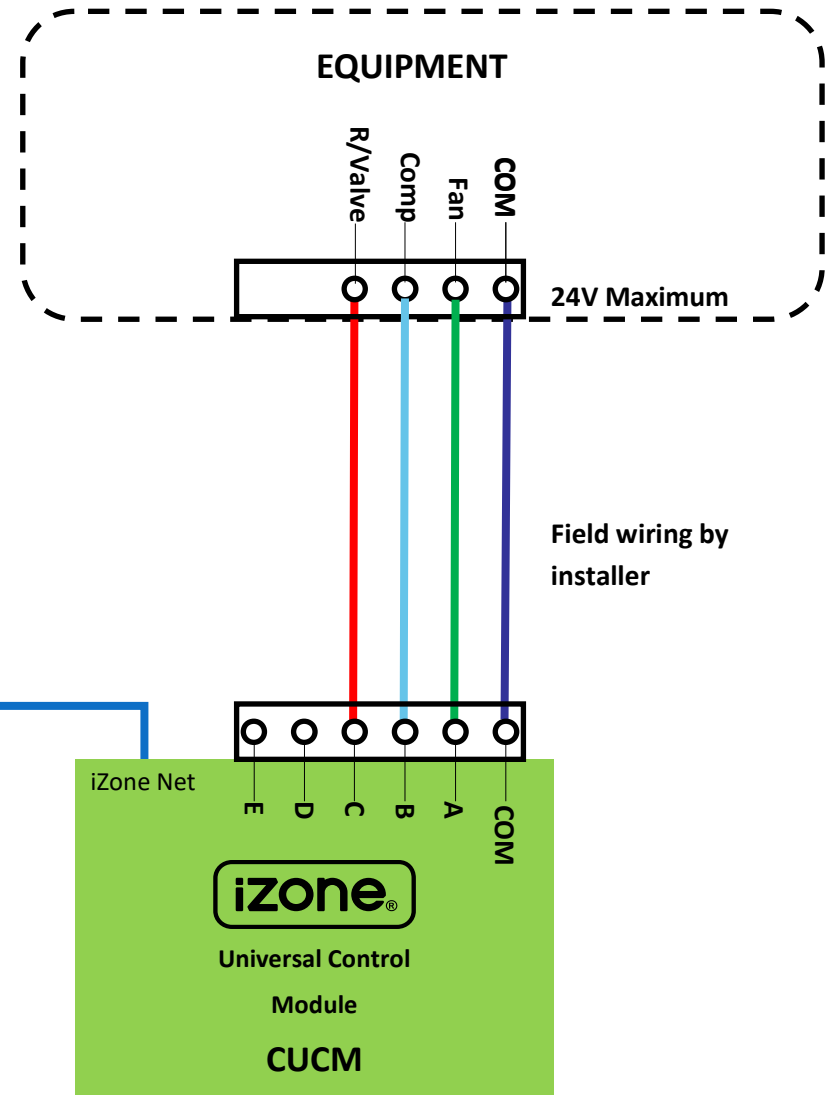
Configure required functionality via touch screen as follows:
Go to *Config > AC Unit Setup > Next > press edit pencil > Select :
2 Stage Gas Heat + 2 Stage Cool + 1 x Fan Speed*
Press *Next > Next*. Adjust *Minimum run time and Anti-cycle time*
as required . Setup *Fan control*



2.31.6 iZone - Wiring connection to Universal Control Module

1 Stage Reverse Cycle Heat Pump + 1 x Fan Speed

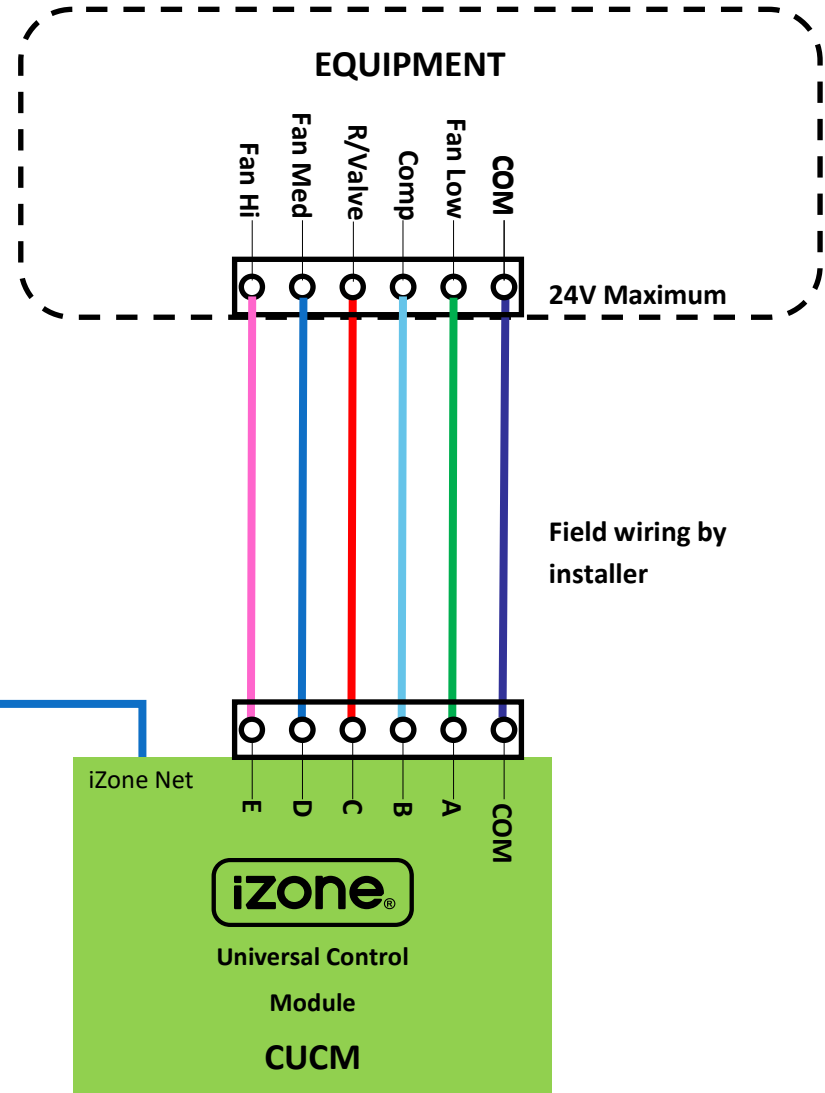
Configure required functionality via touch screen as follows:
Go to *Config > AC Unit Setup > Next > press edit pencil > Select : 1 Stage R/C + 1 Fan Speed*
Press Next > Next. Adjust Minimum run time and Anti-cycle time as required . Setup Fan control



2.31.7 iZone - Wiring connection to Universal Control Module

1 Stage Reverse Cycle Heat Pump + 3 x Fan Speed

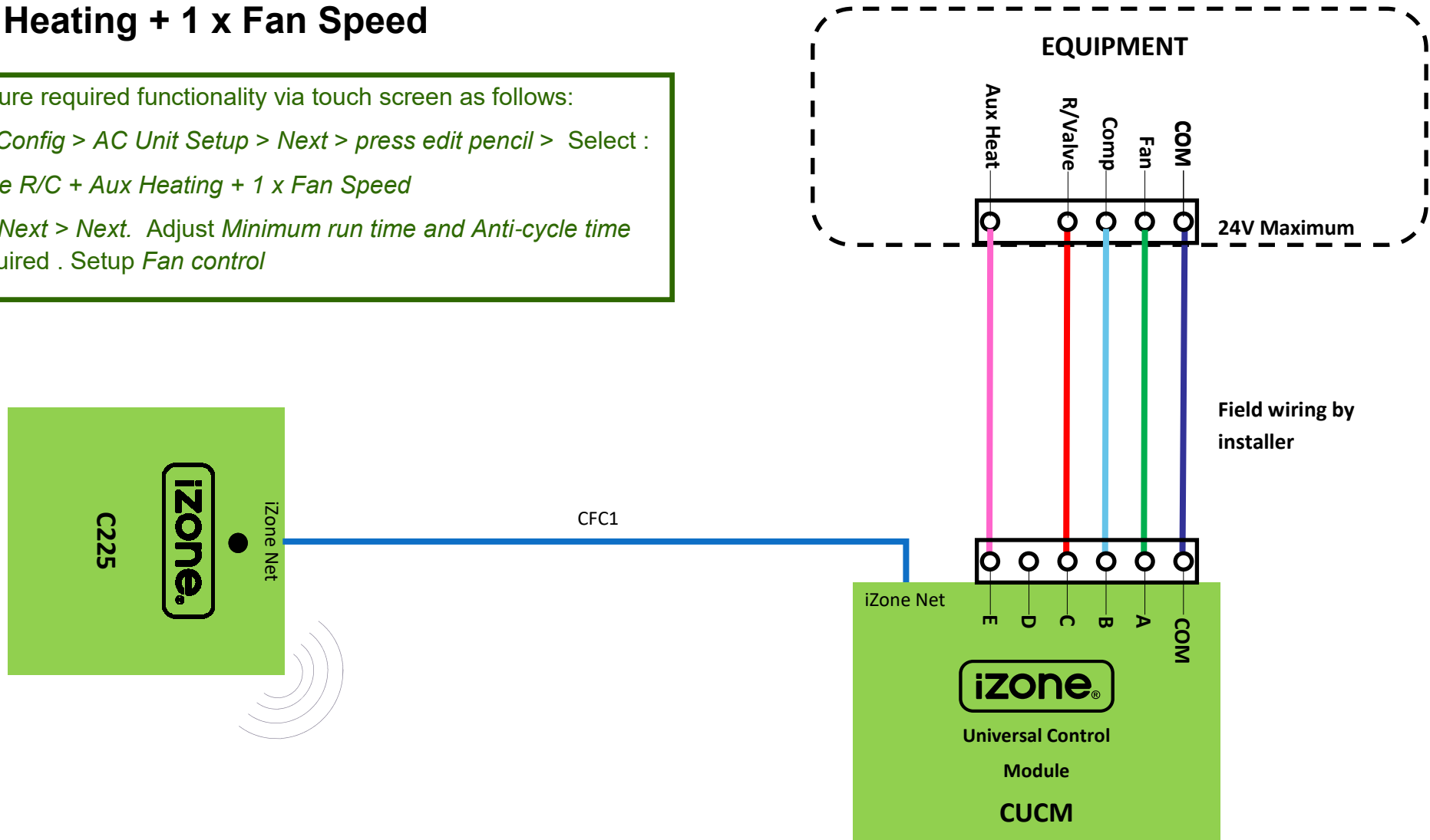
Configure required functionality via touch screen as follows:
Go to *Config > AC Unit Setup > Next > press edit pencil > Select :
1 Stage R/C + 3 Fan Speed*
Press *Next > Next*. Adjust *Minimum run time and Anti-cycle time* as required . Setup *Fan control*



2.31.8 iZone - Wiring connection to Universal Control Module

1 Stage Reverse Cycle Heat Pump + Aux Heating + 1 x Fan Speed

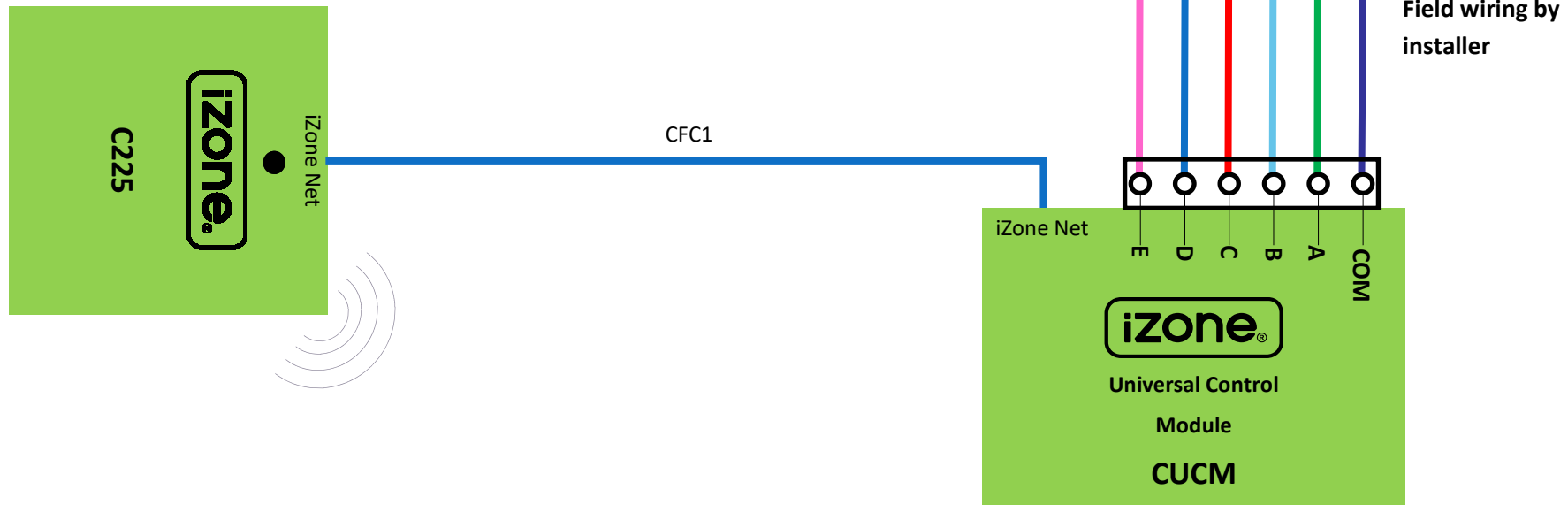
Configure required functionality via touch screen as follows:
Go to *Config > AC Unit Setup > Next > press edit pencil > Select :
1 Stage R/C + Aux Heating + 1 x Fan Speed*
Press *Next > Next*. Adjust *Minimum run time and Anti-cycle time*
as required . Setup *Fan control*



2.31.9 iZone - Wiring connection to Universal Control Module

2 Stage Reverse Cycle Heat Pump + Aux Heating + 1 x Fan Speed

Configure required functionality via touch screen as follows:
Go to *Config > AC Unit Setup > Next > press edit pencil > Select :
2 Stage R/C + Aux Heating + 1 x Fan Speed. Press Next > Next.
Adjust Minimum run time and Anti-cycle time as required . Setup
Fan control*



2.32 General installation instructions

1. The C225, C325 and CEXT can be installed close to the indoor fan coil unit.
2. If any wireless sensor (CRFS) or wireless bridge (CB) is not within the range of the C225 then additional repeaters (CR) should be added to help relay the signal from the field device to the C225.
3. Do **not** run the network cables alongside 240 Volt wiring.
4. When installing network cables down wall cavities or chasing network cables into walls, tape up and protect the RJ45 connector to avoid damage to the connectors. Installation damage to cables **is not** covered under warranty.
5. Always install zones in consecutive ports starting at Zone 1. The C225 and CEXT are marked with the zone port numbers.
6. Do not directly hardwire the CT24V into the AC unit's power supply. This may void the warranty as it will require an electrician in the event that a repair of the iZone power supply is required.
7. Connect Zone Damper Actuators (CZDA) to the zone ports using the RJ11 cables as shown.
8. Connect the Colour Touch Screens (CCTS) to the iZone Net ports using the RJ45 cables. If you are connecting more than 3 components requiring iZone Net ports to the system you will need to connect a Network Extension Module Kit (CNEMK) to one of the iZone Net ports on the C225 using a short RJ45 cable.
9. If any zone is temperature controlled, connect an in Duct Temperature Sensor (CDTS) to the CDTS port. Install the sensor into the **supply air** duct upstream of all dampers. Secure the sensor in place by using reinforced aluminium tape.
10. When installing temperature controlled zones ensure the CCTS or sensor for the associated zone is installed in a location that is representative of the temperature in the room / zone . The sensor should be installed at approximately 1600mm above the floor and should not be subject to draughts, direct sunlight or heat from equipment such as computers, TV screens etc. The supply air outlets to this room must **not** blow conditioned air directly onto the sensors or touch screens.
11. Connect the AC unit control cable to the C225 / C325. See table 2.30 for details. (This control cable is not supplied by Airstream.)
12. The building must be fitted with a compatible WiFi modem. Contact Airstream for a list of approved and recommended modems.
13. If connecting the iZone system to a Home Automation system use the Ethernet connection on the bridge.
14. Only connect the power supply to the CT24VAC port after all components have been connected.
15. Any existing or new air conditioning units that require modification or additional boards to facilitate the correct operation of the iZone system, is the responsibility of the installing contractor.

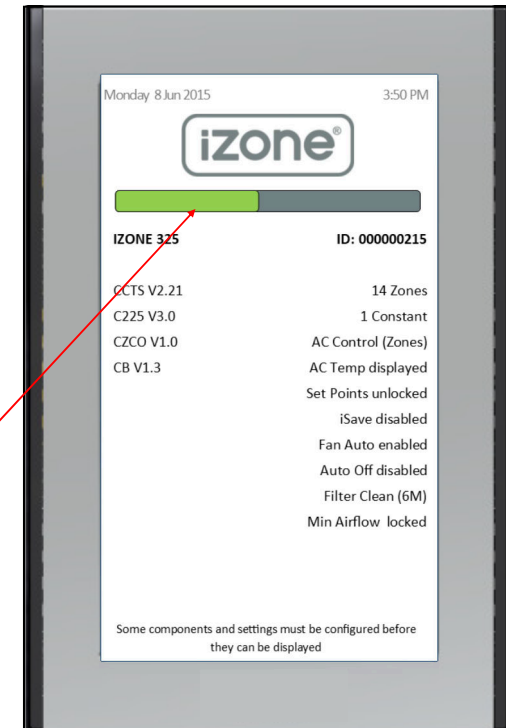
3.0 System initialisation

All new or modified systems must be initialised prior to system configuration.

To initialise the system press the reset button on any colour touch screen. The time to initialise the system will vary depending on the number of motors connected.

The system will also initialise when power is restored after a power failure.

Progress bar will scroll while system initialises and tests all zone dampers



Using a pen, press the button on the underside or side of the screen.



3.1 During initialisation

This screen will be displayed whenever the system is reset or when power is restored after a power failure. None of the previous settings or parameters are lost.

System type

Components detected and software versions

IZONE 425 **ID: 000000215**

CCTS V2.21 14 Zones
C225 V3.0 1 Constant
CZCO V1.0 AC Control (Zones)
CB V1.3 AC Temp displayed
Set Points unlocked
iSave disabled
Fan Auto enabled
Auto Off disabled
Filter Clean (6M)
Min Airflow locked

Some components and settings must be configured before they can be displayed

Progress bar

Current system configuration settings

This image is an example only. Your screen may display differently depending on the system type, what options are selected and the configuration settings entered by your installing contractor.

4.0 System configuration

WARNING ! Only qualified iZone installers should configure the iZone System. Incorrect configuration could result in damage to your air conditioning unit and system.

To configure your system click on the System Config icon on the home page.



Enter the system password "**wamfud**" and press the enter button. The enter

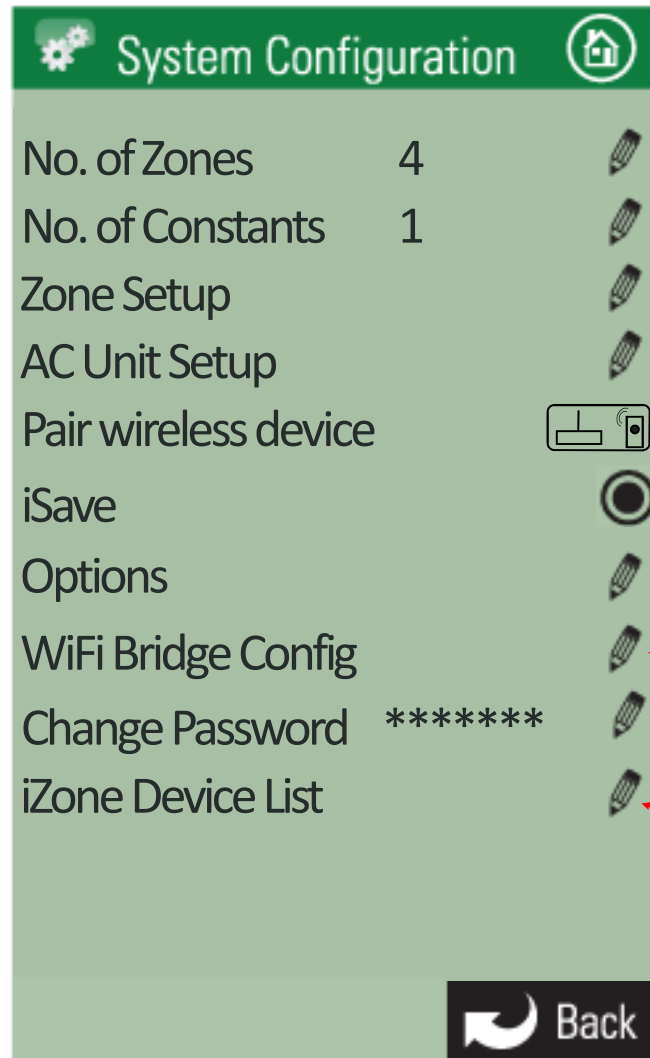


button must always be touched to save changes.

You will now be in the System Configuration area.

4.1 Configuration main menu

Note:
Information on the configuration screen may vary depending which devices are connected to the system and which model of iZone you have



Touch here to edit the number of zones installed.

Touch here to edit the number of variable electronic constant zones required.

Touch here to set up and configure each zone (see 4.2).

Touch here to set up AC Unit Configuration (see 4.3).

Touch here to pair wireless devices

Touch here to enable iSave icons. iSave components must be installed and electronic hardware set up accordingly

Touch here to set up Options

Touch here if you need to manually configure the IP address of the WiFi Bridge.

Touch here to change the system password

Touch here to list the devices and software versions detected by this system

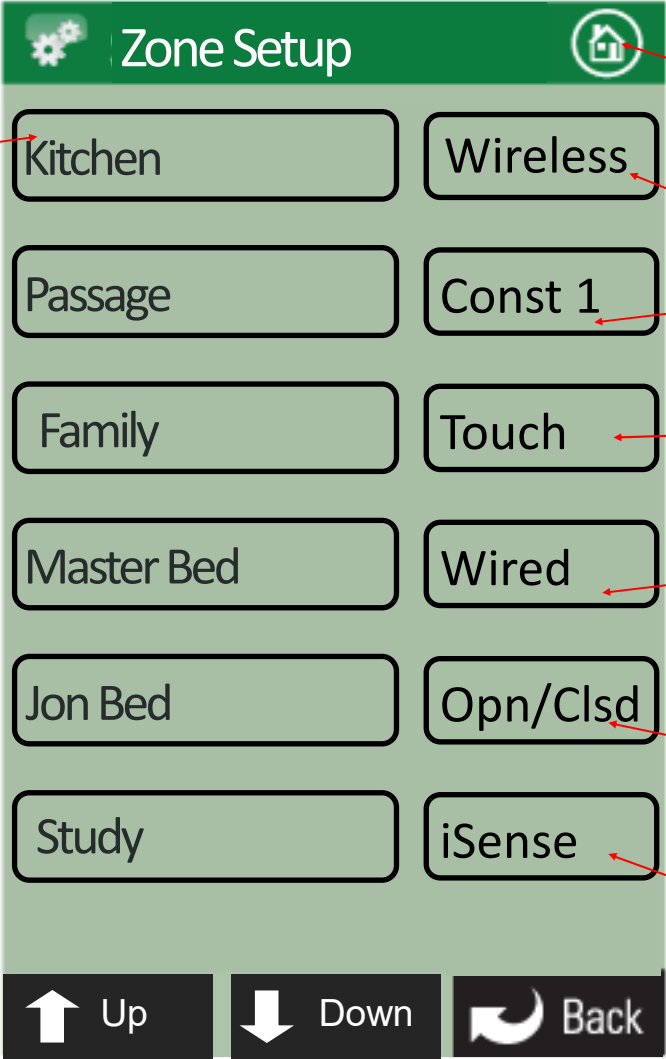
Touch here to go back to the Home screen

iZone

Inventive · Intelligent · Intuitive

4.2 Zone set up

If the zone has been named its name will show here



Touch here to go to the home screen

Kitchen

Wireless

Indicates this zone is fitted with a wireless sensor. Touch here to change.

Passage

Const 1

Indicates this zone is designated to be the first electronic constant zone.

Family

Touch

Indicates this zone temperature is controlled via the sensor in a touch screen. Press here to change.

Master Bed

Wired

Indicates this zone is fitted with a wired sensor. Touch here to change.

Jon Bed

Opn/Clsd

Indicates this zone has been set up for Open / Close control only

Study

iSense

Indicates this zone is set up for temperature control via an iSense controller



Up



Down



Back

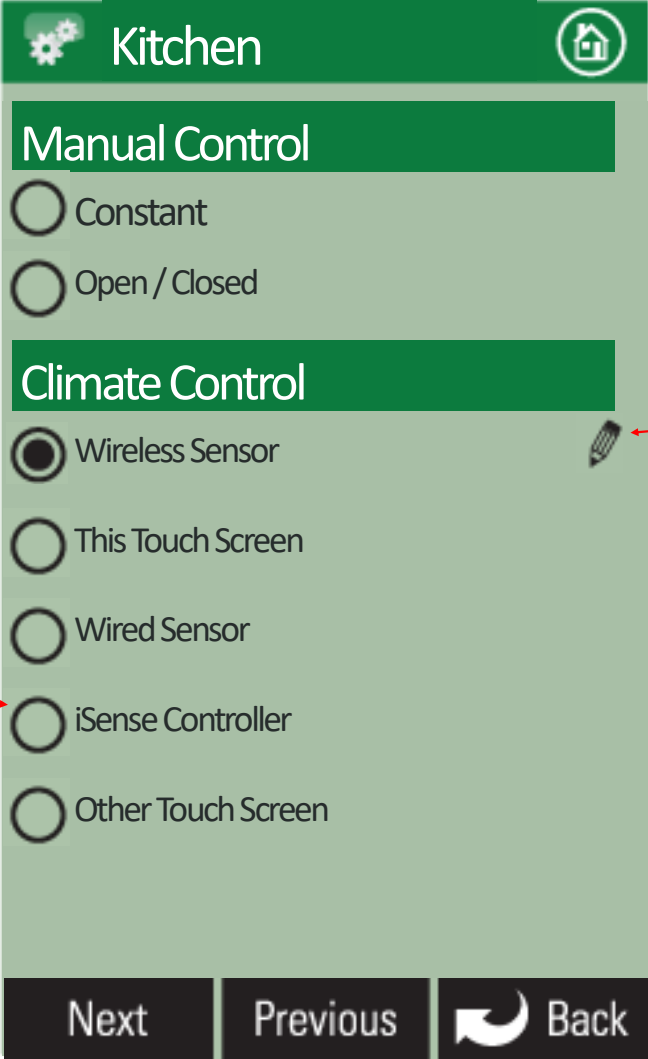
iZone

Inventive · Intelligent · Intuitive

4.2 Zone set up (cont)

Indicates this zone has been configured to be climate controlled via a Wireless Sensor

The configuration of this zone can be changed by simply selecting the appropriate button. Please note the correct hardware must be fitted for the zone to work correctly



Press here to view or make changes to the wireless sensor status and configuration

4.2.1 Sensor configuration

Kitchen

Pair wireless device

Sensor battery status : Good

Signal strength : 100%

Change Rf Channel 1

Calibrate Sensor - 0.2 C

Back

iZone
Inventive · Intelligent · Intuitive

Indicates the status of the wireless signal strength from the sensor in this zone. It can take up to 10 minutes of normal operation to get an accurate reading. To speed up the process press the Off / Auto button on the sensor 5 times.

Displays the Radio frequency channel the system has been configured to. This channel can be changed if RF interference is being experienced.

If the channel is changed all wireless devices need to be paired

Hold down the "Pairing Button" on the iZone wireless device. (see 4.2.2).

Then press here to pair the device to your iZone system

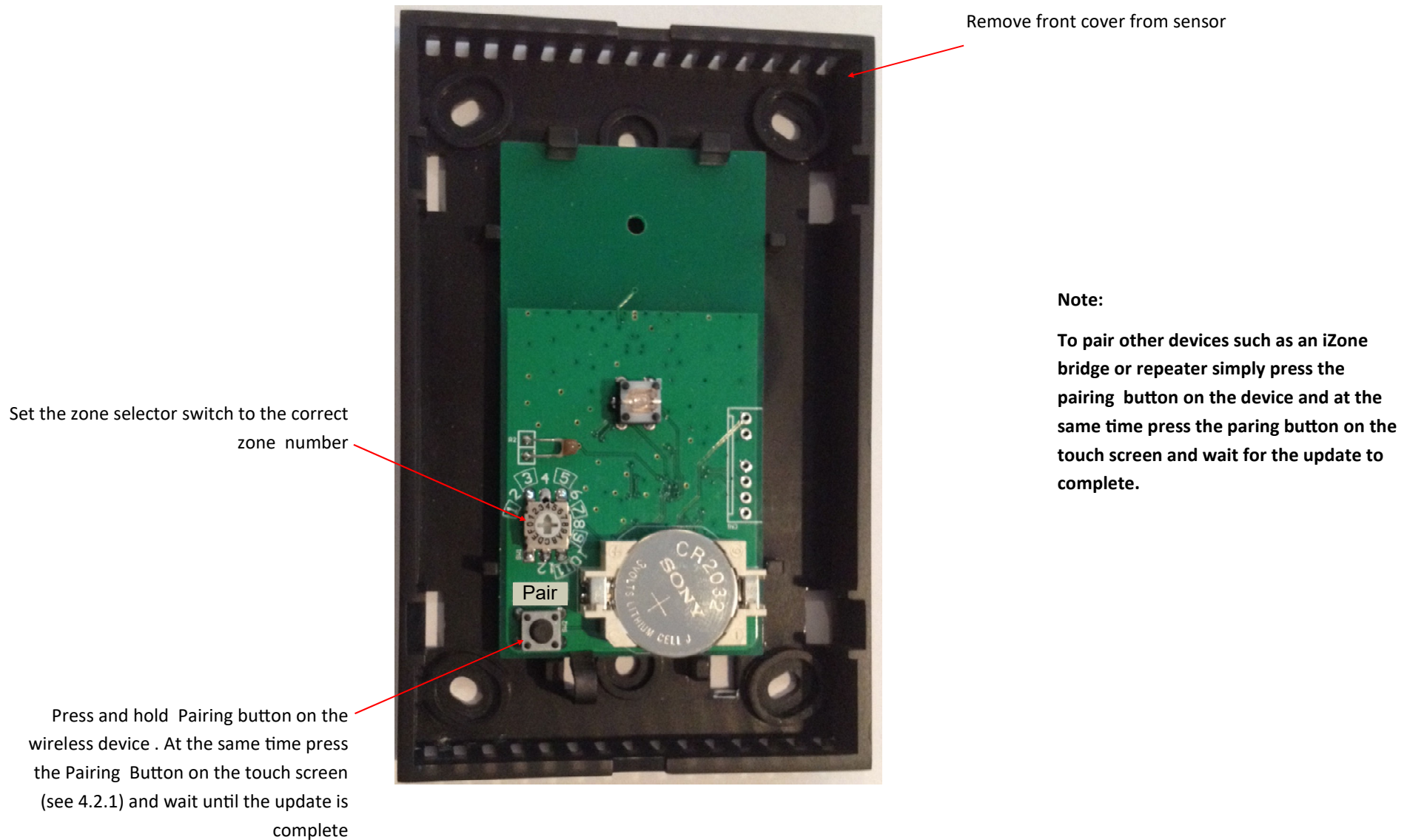
Indicates the status of the battery in the sensor in this zone

Press here to change the Rf Channel

Press here to adjust the calibration of this sensor (See 4.2.3)

Touch here to go back and save any changes.

4.2.2 Pairing and configuring iZone RF Sensors



4.2.3 Sensor Calibration

The screenshot shows a mobile application interface for sensor calibration. At the top, a green header bar contains a gear icon, the text "Kitchen", and a home icon. Below this, a green bar displays "Calibrate sensor (22.2)". Underneath are three buttons: "Down" with a downward arrow, a central box containing "-0.2", and "Up" with an upward arrow. At the bottom right is a "Back" button with a circular arrow icon. Red arrows point from text annotations to these elements.

Re-calibrated temperature for this zone

Current reading with calibration offset included

Touch here to adjust the calibration down by -0.1 deg. C

Touch here to adjust the calibration up by +0.1 deg. C

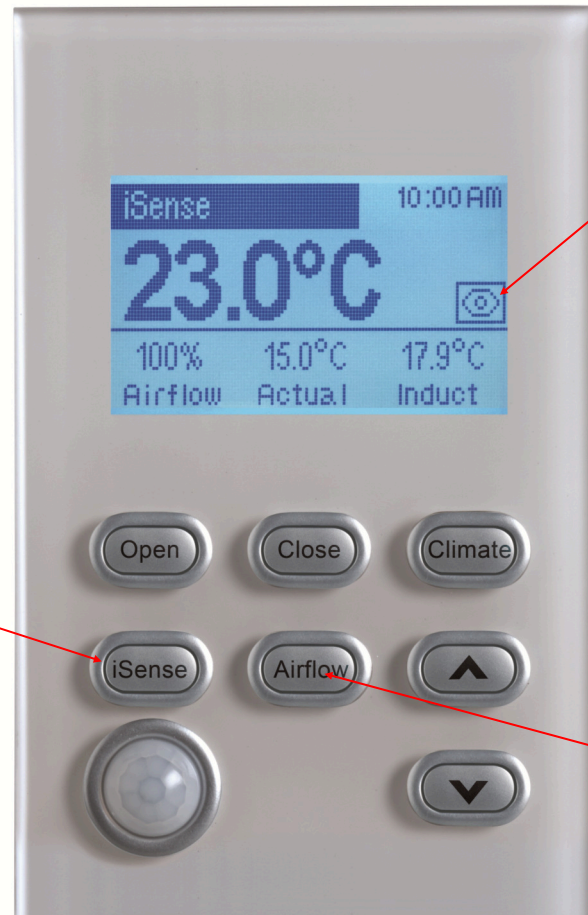
Total calibration offset from manufactured setting

Touch here to go back and save the changes.

Note:
Re-calibration of the temperature sensor in the touch screens can only be done from the touch screen you want to re-calibrate.

iZone
Inventive · Intelligent · Intuitive

4.2.4 iSense controller configuration



Press and hold the “iSense” button to enter the Occupancy Strategy configuration menu. Follow the prompts to select the most appropriate strategy for your room or use the Custom Setup option to design your own strategy

Note:

When iSense has been activated movement is required in the range of the occupancy sensor to keep the zone operating. The use of the iSense feature in bedrooms, when the occupants are asleep, is not recommended.

Indicates the iSense has been activated on this controller.

Press and hold the “Airflow” button to configure the controller. Here you can configure the correct Zone to control and you can calibrate the sensor if required

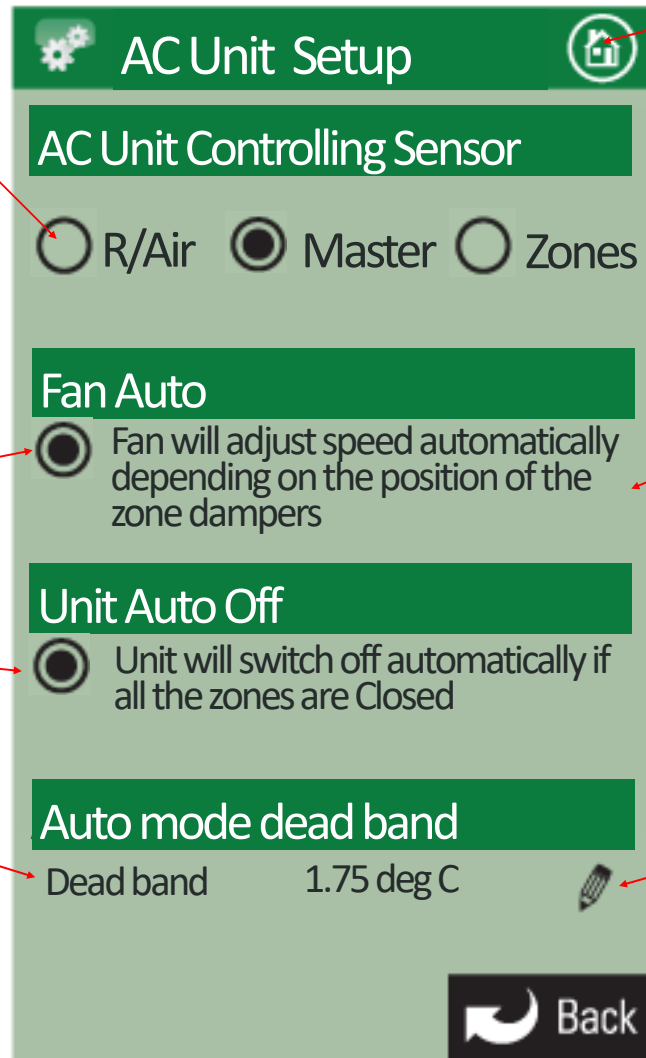
System reset button under here

4.3 AC unit configuration

Select method of controlling the AC unit.

- R/Air will control using the unit's return air sensor.
- Master will control the AC unit from the colour touch screen or zone sensor that has been selected as the Master.
- Zones will automatically control the AC unit from the temperature controlled zones (high select).

Touch here to go to the home screen.



Touch here to enable / disable this feature

To configure Fan Auto see (4.3.1)

Touch here to enable / disable this feature

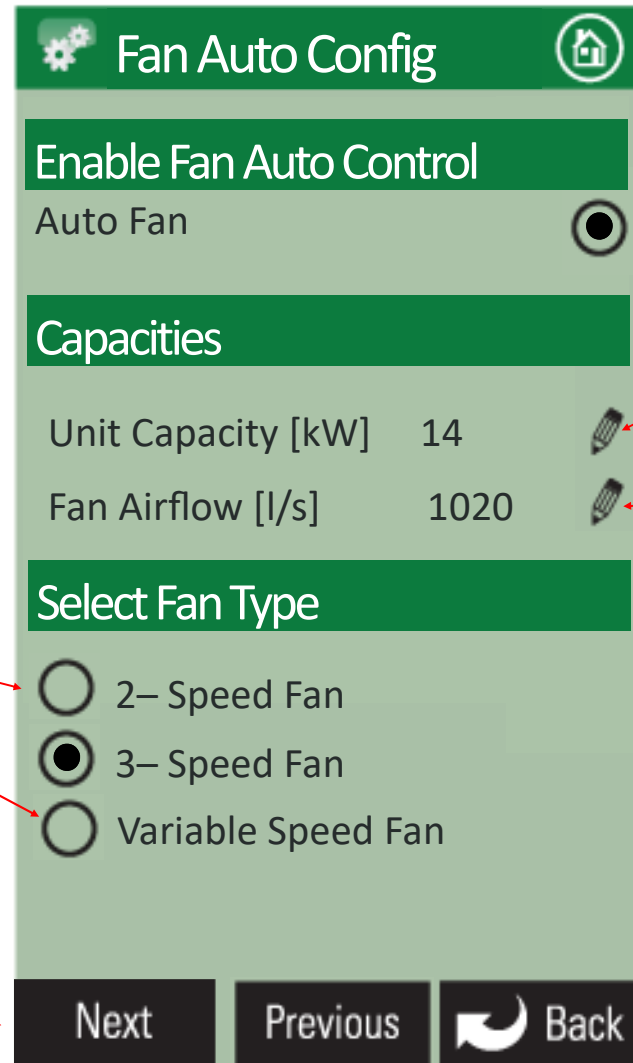
Indicates the current dead band required to automatically switch from Cooling to Heating. This dead band +/- 1.75°C from the controlling sensor's setpoint.

Touch here to adjust the deadband

Touch here to go back and save the changes.

iZone
Inventive · Intelligent · Intuitive

4.3.1 Fan auto configuration



Touch here to enable Fan Auto control and to proceed with Fan Auto set up

Touch here to set the AC Unit capacity for this system. The capacity selection will provide an approximate airflow capacity for the AC Unit.

Touch here to fine tune the airflow capacity. You can set the exact airflow in litres per second. This is available from the AC Unit manufacturer

Select the correct fan speed type for the system installed. Refer to AC Unit Manufacturer manual

Only available on certain AC unit makes

Touch here to configure the zone areas (4.3.2)

4.3.2 Fan auto zone area setup

Fan Auto Config

Zone 1 Area (sqm)
Kitchen 10

Zone 2 Area (sqm)
Living 33

Zone 3 Area (sqm)
Master Bed 21

Next **Previous** **Back**

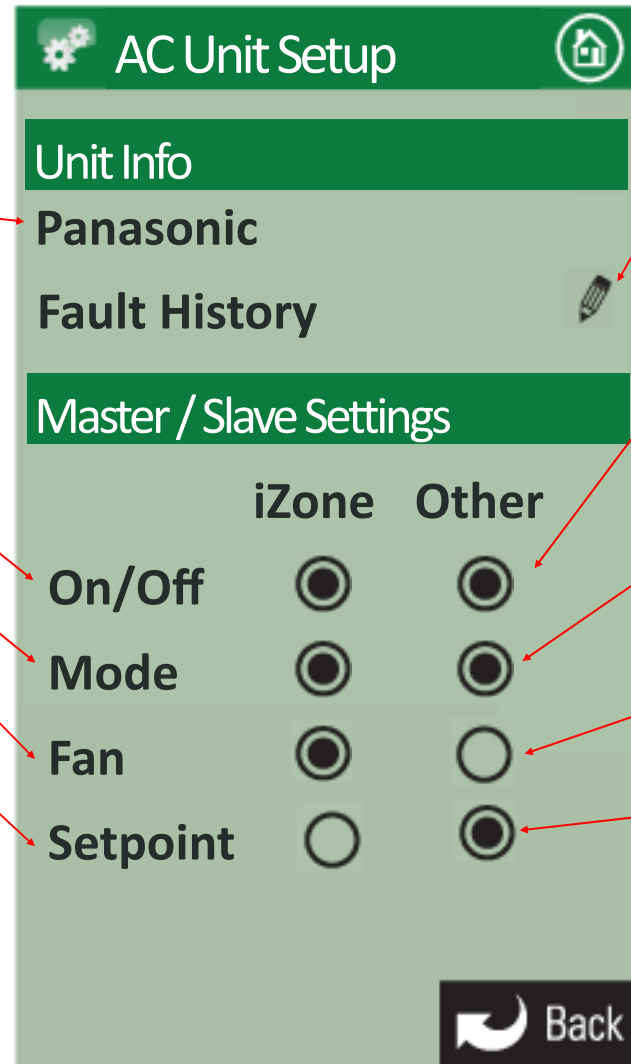
Zone name

Touch here to set the kitchen area in square meters

Current area set for Zone 3

Touch here to go to the next 3 zones

4.3.3 Master Slave Setup



Indicates a Panasonic AC unit module is connected to this system

Touch here to view the fault history for this AC unit.

System can be turned On and Off via the iZone controller and another non iZone controller connected to the Panasonic unit

System mode can be changed by the iZone controller and another non iZone controller connected to the Panasonic unit

System fan speed can only be controlled by the iZone controller

System setpoint can only be controlled by a non iZone controller connected to the Panasonic unit

Touch here to go back and save the changes.

System On/Off control

System mode control

System fan speed control

System setpoint adjustment

Important Notes:

This is an Advanced setting and should only be attempted by suitably qualified iZone technicians.

These setting will only work with certain makes and models of AC units. Contact Airstream to check if your system is suitable.

The AC system controls may require additional PCBs, master / slave adjustments or controller addressing for these functions to operate.

Airstream does not accept responsibility if these setting do not work correctly on your particular system

iZone
Inventive · Intelligent · Intuitive

4.4 System Options (Display, Taglines & Filter Maintenance)

Note:
Information on the configuration screen may vary depending which devices are connected to the system and which model of iZone you have

The screenshot shows the 'System Options' configuration screen. At the top, there is a green header with a gear icon on the left and a home icon on the right. Below the header, the screen is divided into three main sections: 'Display', 'Tag Lines', and 'Filter Maintenance'.
1. **Display Section:** Contains three radio button options: 'Full System', 'Zone Only', and 'Controlling Temperature'.
2. **Tag Lines Section:** Shows two lines of text: 'iZone' and 'Inventive · Intelligent · Intuitive'. Each line has a pencil icon to its right.
3. **Filter Maintenance Section:** Shows 'Reminder Frequency 3 months' with a pencil icon to its right.
At the bottom of the screen, there are two buttons: 'Next' on the left and 'Back' on the right. The 'Back' button features a white arrow icon pointing left. Below the buttons, the text 'iZone' and 'Inventive · Intelligent · Intuitive' is displayed.

Select either Full System or Zone Only

Select if you want the AC units controlling temperature to be displayed

Touch here to change line 1 of the tag line

Touch here to change line 2 of the tag line

Touch here to change the filter clean reminder frequency

Touch here to go back to the next page of options

Touch here to go back to the previous configuration page

4.4 System Options (Locks & Non Standard Damper Motors)

Note:

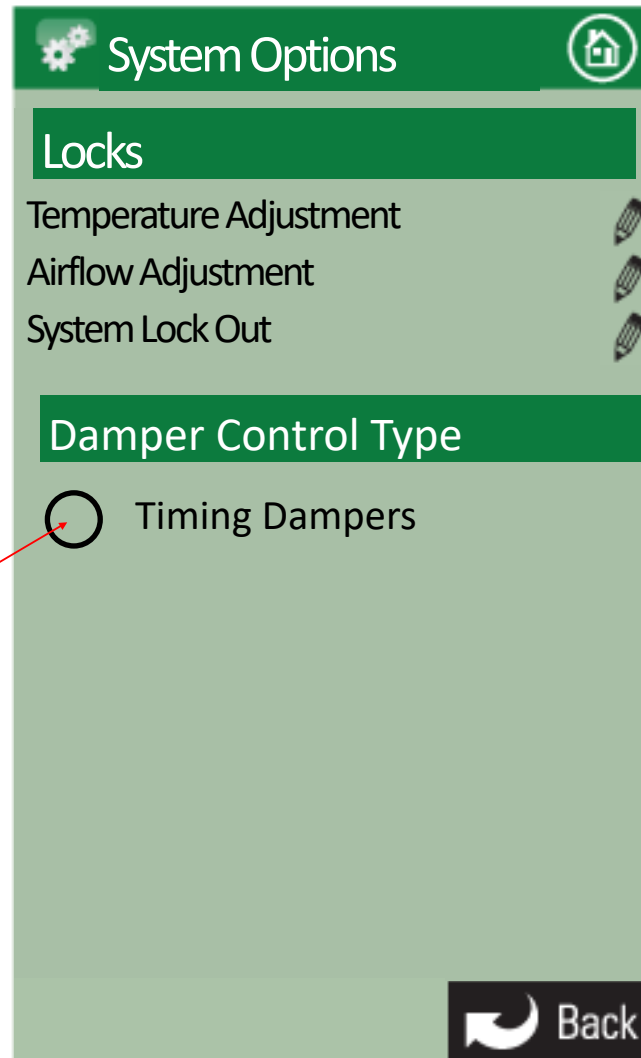
Information on the configuration screen may vary depending which devices are connected to the system and which model of iZone you have

Select here for non standard dampers such as Belimo.

You will need to type in the drive time in seconds from fully closed to fully open.

Please note this will change the timing for all motors in the system so you cannot have a mix of different motors on the same system when using this feature.

The damper fault detection is ignored when this mode is used.



Touch here to set limits for set point adjustment and to lock this setting

Touch here to lock airflow adjustment. You can lock minimum airflow only or both minimum and maximum air flow adjustments

Touch to lock the AC Unit. You will need to enter a PIN number and then the number of days you want the system to operate for, until it is automatically locked off. Do not forget your PIN. Service charges will apply for a technician to attend site to unlock your system.

Touch here to go back to the previous configuration page

iZone
Inventive · Intelligent · Intuitive

4.5 Wifi bridge configuration

The screenshot shows a mobile application interface for WiFi Bridge configuration. The title bar is green and contains a gear icon on the left, the text "WiFi Bridge Config" in the center, and a home icon on the right. Below the title bar, there are three green boxes displaying configuration details: "ID: 123123123", "IP: 192.118.27.69", and "MAC: 00:04:A5:G9:32:39". At the bottom, there is a dark navigation bar with three buttons: "Next", "Previous", and "Back" (with a circular arrow icon). The text "iZone Inventive · Intelligent · Intuitive" is centered below the navigation bar.

Displays the iZone system identification number

Displays the Bridge IP address allocated by the DHCP

Displays iZone Ethernet controller MAC address

Touch here to go to the home screen.

Touch here to go to the manual WiFi configuration

Touch here to go back and save the changes.

Next Previous Back

iZone
Inventive · Intelligent · Intuitive

4.5.1 Manual IP Configuration

Select either Auto or Manual Configuration. If manual is selected you will need to know the IP, Subnet Mask, Default Gateway, Primary DNS Server and Secondary DNS Server addresses if applicable. If you require manual configuration please contact your IT specialist to assist you.

Touch here to go to the home screen.

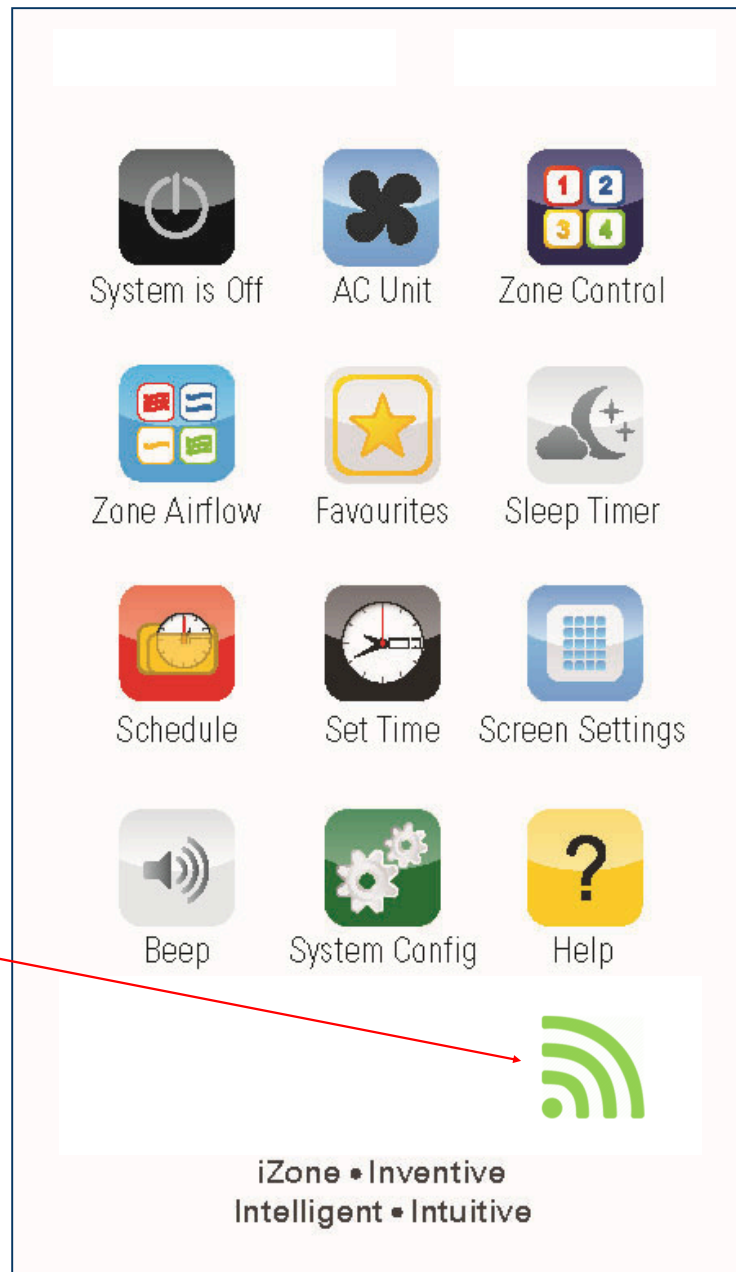
The screenshot shows the 'WiFi Configuration' screen with a green header. Below the header, there are two radio button options: 'Auto Configuration' (unselected) and 'Manual Configuration' (selected). Below these are five sections for manual configuration, each with four input boxes: 'IP Address', 'Subnet Mask', 'Default Gateway', 'Primary DNS Server', and 'Secondary DNS Server'. All input boxes contain the number '0'. At the bottom, there are three buttons: 'Apply', 'Previous', and 'Back'.

Touch here to apply the changes to the configuration

Touch here to go back without saving the changes.

4.5.2 WiFi connection

A green symbol indicates the iZone system is now connected to WiFi and ready to use



A grey symbol indicates the Bridge is connected to the iZone system but is not connected to the local computer network



4.5.3 Smart Phone, Tablet or PC configuration - System Requirements

Smartphone, Tablet or PC

- You will need a smartphone or tablet. The following platforms are supported: Apple & Android.

System Requirements

iOS SOFTWARE REQUIREMENTS

- Compatible with iPhone, iPod touch, and iPad. iOS 6.0 and higher.

ANDROID SOFTWARE REQUIREMENTS

- Requires Android: 2.1 and higher.

WiFi modem or network switch

- You will also need a compatible WiFi modem or network switch with a spare RJ 45 access port. Some WiFi modems, firewalls and security settings are not compatible with the iZone bridge and will need to be changed or replaced to enable the iZone app to run.

Download the iZone App

- You will need an account with the manufacturer of your phone to enable you to download Apps from their

respective store.

- Apple—Apple App Store
- Android—Google Play Store
- Login to the respective store.
- To search for the iZone App type “iZone Controller” into the stores search menu.
- Select iZone Controller and download the iZone App.



4.5.4 Smart Phone, Tablet or PC configuration - Equipment Required and Configuration

Equipment

- See 2.24 & 2.25 For details of equipment required and wiring diagram.

Configuration

- Power up the WiFi Bridge
- Press the System Config button on the touchscreen
- Enter the system password “wamfud”



Pair the wireless bridge to the iZone system

- Press and hold the blue button on the side of the Bridge. At the same time press the “Pair Wireless Device” button on the touchscreen



Pair Wireless Devices



- Wait a few seconds. Press the home button on the touch screen.



- The grey WiFi symbol should appear at the bottom of the home screen.



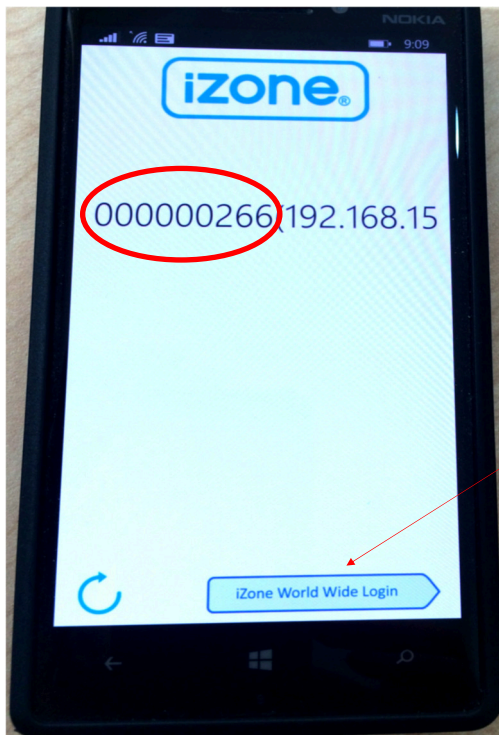
- Connect the RJ 45 cable from the Bridge to the modem / router. The symbol will change to 100% green.



4.5.5 Smart Phone or Tablet configuration - Using your App

Using your iZone App in your local WiFi area

- Press the iZone button on your phone or tablet.
- A nine digit number will appear on at the top of the screen. This is you system ID number. Write it down as you will need it to register on iZone World Wide for control of your system away from home. Press on the nine digit number and you will go into the App. Now you can name your system using the “Rename” button.



Do **NOT** press the iZone World Wide button unless you are registered for iZone world wide and you are outside your local WiFi area

iZone World Wide Service

- You can only have access to the system from outside your local WiFi range after you have subscribed to iZone World Wide.
- To register on iZone World Wide Go to:
<https://worldwide.izone.com.au/signup>
- Follow the prompts to subscribe. You will need the system ID number . This is a nine digit number.
- You will also be asked for an email address and password which you should remember as you will need these to access your system when you are trying to use the App from outside the WiFi range.
- When you login to iZone World Wide there is an option to save your username and password (Login and Remember Me). We recommend you select this option to make it faster and easier to login to your system remotely.
- To reduce the data usage there may be a slight delay between changing a setting on your phone, and the system updating, when using iZone World Wide.
- Do not use iZone World Wide when you are in your WiFi zone unless you have turned off the WiFi on your smart phone or tablet.

4.6 Home automation integration

iZone systems can be integrated into any home automation system that has an Ethernet interface. The WiFi bridge is fitted with an Ethernet connection .

For interface specifications please download a copy of Airstream's Technical Catalogue at

<http://www.izone.com.au>

Your home automation integrator will need to write suitable code to control your AC system. This service is not provided by Airstream or iZone.

5.0 User manual

5.1 iZone 400 & 405 home

- To get back to the Home screen at any time press.

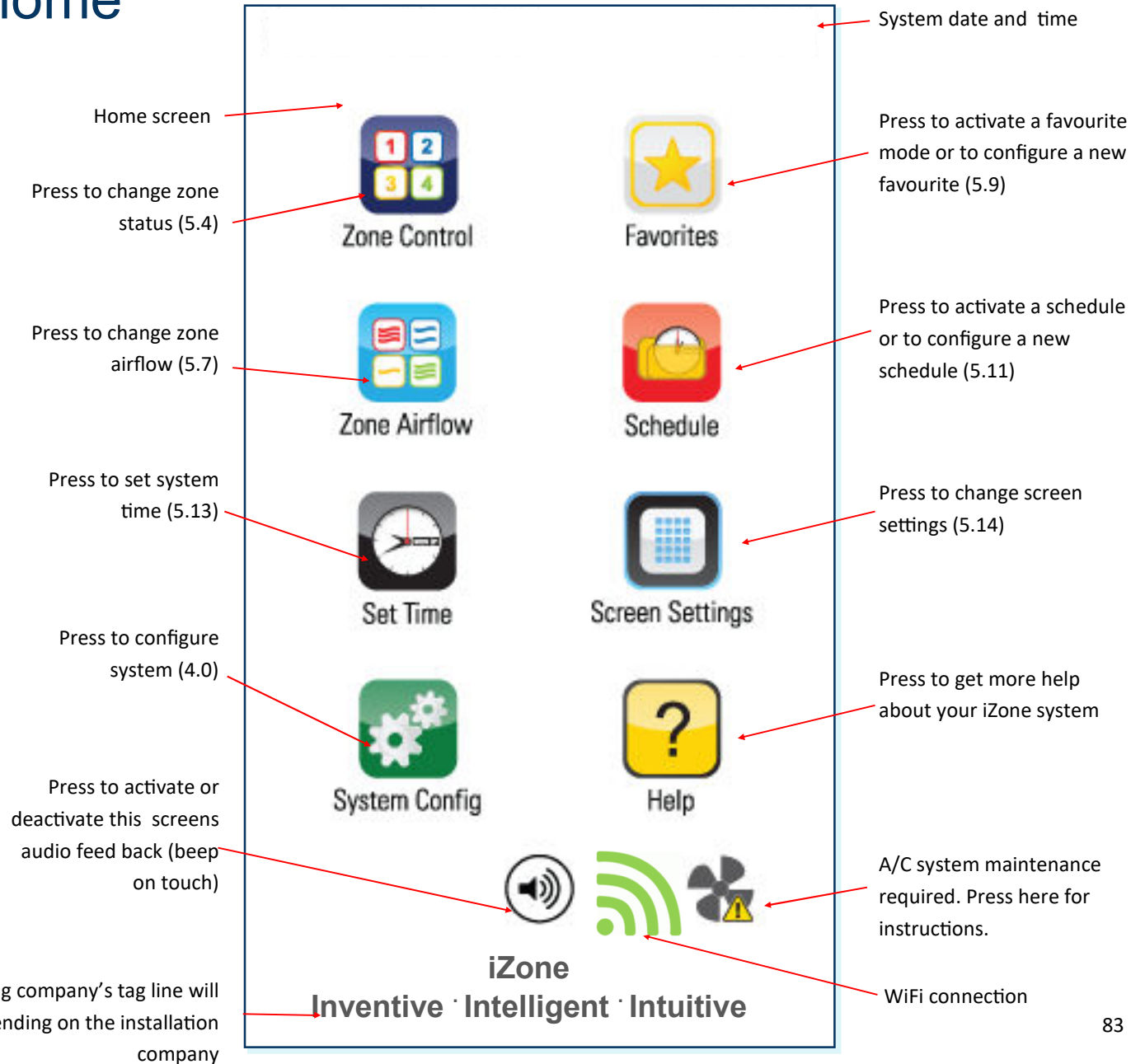


- When entering names or values using the keyboard it is easier to use a thin object such as a toothpick. Do not use sharp, hard objects as they may damage the screen. The enter button must always be pressed to save the changes you have made.





- Some functions may have been locked by your installer to ensure the commissioned values are not changed. To make changes to these values contact your installation company.

Installing company's tag line will vary depending on the installation company

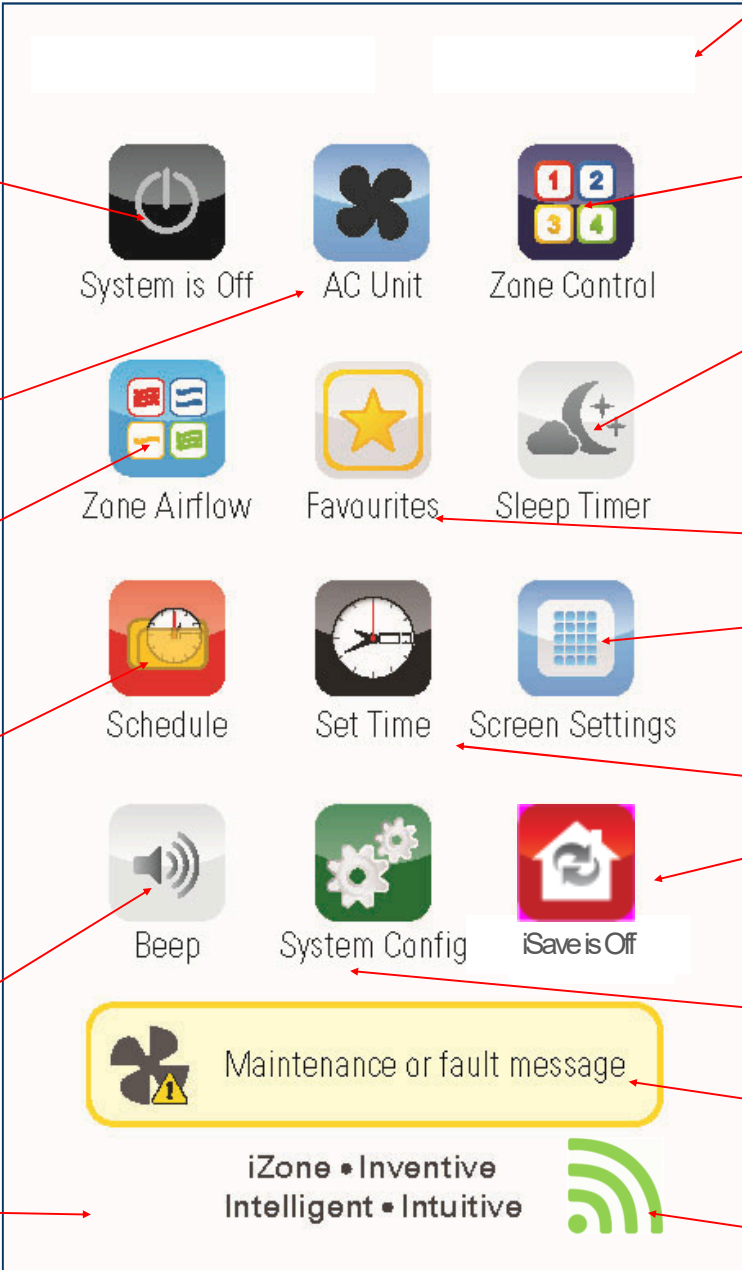


5.2 iZone 410 - 435 home screen

- To get back to the Home screen at any time press. 

- When entering names or values using the keyboard it is easier to use a thin object such as a toothpick. Do not use sharp, hard objects as they may damage the screen. The enter button must always be pressed to save the changes you have made. 

- Some functions may have been locked by your installer to ensure the commissioned values are not changed. To make changes to these values contact your installation company.



The image shows a grid of icons on a home screen. Red arrows point from text labels to specific icons. The icons are arranged in a grid with a tag line at the bottom and a WiFi icon in the bottom right corner.

- System date and time.** (points to the top status bar)
- Press to turn your system on or off.** (points to System is Off icon)
- Press to change zone status (5.4).** (points to Zone Control icon)
- Press to toggle sleep timer options.** (points to Sleep Timer icon)
- Press to change the A/C unit settings (5.3).** (points to Zone Airflow icon)
- Press to activate a favourite mode or to configure a new favourite (5.9).** (points to Favourites icon)
- Press to change zone airflow (5.7).** (points to Zone Airflow icon)
- Press to activate a schedule or to configure a new schedule (5.11).** (points to Schedule icon)
- Press to change screen settings (5.14).** (points to Screen Settings icon)
- Press to set system time and date (5.13).** (points to Set Time icon)
- Press to activate or deactivate this screens audio feed back (beep on touch).** (points to Beep icon)
- Press to switch iSave On (Only applicable if iSave has been fitted to the system)** (points to iSave is Off icon)
- Press to configure the system (4.0).** (points to System Config icon)
- Maintenance or fault message** (points to the yellow banner)
- A/C system maintenance required or A/C unit fault code. Press to clear** (points to the yellow banner)
- Tag line this will vary depending on the installation company.** (points to the text at the bottom)
- WiFi connection** (points to the WiFi icon)

5.3 AC unit control

The image shows a touch-screen interface for AC unit control. At the top, it says "AC Unit Control" with a home icon. The main display shows a set point of 23.5°C. Below this are "Increase" and "Decrease" buttons with up and down arrow icons. Further down are "Cool" (with a snowflake icon) and "High" (with a bar chart icon) mode/fan speed buttons. A "Master Control" section features a green checkmark icon. Below that, the "System Status" is shown as "Normal 22.0 C". At the bottom right is a "Back" button with a circular arrow icon. The footer contains the text "iZone • Inventive Intelligent • Intuitive".

Current AC unit set point.

Press here to change the mode.

Indicates the temperature measured by this panel is currently controlling the AC unit (Only applicable if systems configured for "AC unit controlling sensor—Master" option. (See 4.3).

Indicates the current status of the AC unit. If a fault code appears here please contact your installer.

Press here to increase the AC unit set point. (Not applicable if "AC unit controlling sensor—Zones" option selected. See 4.3).

Press here to decrease the AC unit set point (Not applicable if "AC unit controlling sensor—Zones" option selected. See 4.3).

Press here to change the fan speed.

AC unit actual temperature (RA, sensor or touch screen)

Press here to go back to the home page.

iZone • Inventive
Intelligent • Intuitive

5.4 Zone control

The screenshot shows the 'Zone Summary' screen with the following zones and their current states:

Zone Name	Icon	Control Mode
Zone 1	Key icon	Auto
Living room	Red damper icon	Closed
Dining room	Key icon	Auto
Kitchen	Green damper icon	Open
Master bedroom	Key icon	Auto
John bedroom	Yellow warning icon	Auto
Study	Red damper icon	Closed
Hall	Blue damper icon	Const

At the bottom of the screen are three navigation buttons: 'Up' (up arrow), 'Down' (down arrow), and 'Back' (curved arrow). The text 'iZone Inventive · Intelligent · Intuitive' is centered at the bottom.

Callouts and Explanations:

- Zone 1:** Indicates this zone is currently in climate control mode. (Points to the key icon)
- Auto:** Indicates Zone 1 is in climate control mode. Press here to change the Set point. (5.6). (Points to the 'Auto' button)
- Living room:** Zone Name. Press to edit zone name and other zone settings (5.5). (Points to the zone name)
- Closed:** Indicates this zone is closed. Press here to open the zone. (Points to the 'Closed' button)
- Dining room:** Indicates this zone is currently fully open. (Points to the key icon)
- Open:** Indicates this zone is open. Press here to close the zone. (Points to the 'Open' button)
- Master bedroom:** Indicates there could be a fault with this damper. Contact your installer. (Points to the key icon)
- John bedroom:** Indicates this zone is currently being overridden by the system and is being used as a constant because too many zones are closed. (Points to the warning icon)
- Study:** Indicates the hall is an electronic constant and it is currently active. (Points to the red damper icon)
- Const:** Indicates the hall is an electronic constant and it is currently active. (Points to the 'Const' button)
- Up/Down/Back:** Scroll up or down to see more zones. (Points to the navigation buttons)
- Back:** Press here to go back to the home page (Points to the 'Back' button)

5.5 Edit zone names & settings

The screenshot shows the iZone control interface for a Dining Room zone. The interface is divided into several sections:

- Header:** A dark blue bar at the top contains the text "Dining Room" and a home icon.
- Zone Information:** Below the header, the text "Zone 3 Dining Room" is displayed, followed by "Status Climate Control".
- Airflow Settings:** The interface shows "Max Airflow 80%" and "Min Airflow 10%".
- Room Area:** The text "Room Area 16 sqm" is displayed.
- Zone Status:** The text "Constant Zone Inactive" is shown in a lighter color.
- Navigation:** At the bottom, there are three buttons: "Next", "Previous", and "Back".
- Footer:** The text "iZone Inventive · Intelligent · Intuitive" is displayed at the very bottom.

Annotations with red arrows point to specific elements:

- Current zone being edited:** Points to the "Dining Room" header.
- System zone number and display name:** Points to "Zone 3 Dining Room".
- Current zone status:** Points to "Status Climate Control".
- Zone maximum and minimum air flow set points:** Points to "Max Airflow 80%" and "Min Airflow 10%".
- Status of this zone if it has been selected as an electronic constant:** Points to "Constant Zone Inactive".
- Room area (if Fan Auto function has been configured):** Points to "Room Area 16 sqm".
- Press to edit zone name:** Points to the home icon in the header.
- Press to edit current zone status:** Points to the edit icon next to "Status Climate Control".
- Press to change maximum and minimum airflow set points:** Points to the edit icons next to "Max Airflow 80%" and "Min Airflow 10%".

5.6 Adjusting temperature controlled zones

The screenshot shows the iZone mobile app interface for a 'Dining Room' zone. At the top, the zone name 'Dining Room' is displayed. Below it, the current temperature set point is '23.5°C'. There are 'Increase' and 'Decrease' buttons with up and down arrows. Below these are 'Open' and 'Close' buttons with their respective icons. Further down are 'Climate' and 'Master' buttons. At the bottom, there are 'Next', 'Previous', and 'Back' navigation buttons. The interface also shows the actual temperature '23.5°C' and the in-duct temperature '22.5°'. Various status icons like RF strength, battery, and a home icon are present at the top right.

Indicates current zone being adjusted.

Indicates current temperature set point required for this zone.

Press here to fully open this zone.

Press here to allow iZone to automatically control the temperature in this zone.

Indicates the actual temperature in this zone (as measured by iZone).

Scroll up or down to see more zones.

Indicates RF strength from sensor serving this zone is acceptable (only if RF sensor is installed.)

Indicates battery in the sensor serving this zone requires replacement. (only if RF sensor is installed)

Press here to increase the current zone set point temperature.

Press here to decrease the current zone set point temperature.

Press here to close this zone.

Press here to select this zone as the master (only available if configured for Master AC unit control).

Indicates the current temperature of the air inside the air conditioning system ductwork.

Press here to go back to the zone summary.

iZone
Inventive · Intelligent · Intuitive

5.7 Zone airflow summary

The screenshot shows a mobile application interface titled "Zone Airflow". It features a list of zones, each with a name and two percentage settings labeled "MIN" and "MAX". The zones listed are Zone 1, Living room, Dining room, Kitchen, Master bedroom, John bedroom, Study, and Hall. The "MIN" values are 10% for all zones except Living room (30%), and the "MAX" values are 80% for all zones except Living room (90%). At the bottom, there are three navigation buttons: "Up" (up arrow), "Down" (down arrow), and "Back" (curved arrow). The iZone logo and tagline "Inventive · Intelligent · Intuitive" are at the very bottom.

Zone Name	MIN (%)	MAX (%)
Zone 1	10%	80%
Living room	30%	90%
Dining room	10%	80%
Kitchen	10%	80%
Master bedroom	10%	80%
John bedroom	10%	80%
Study	10%	80%
Hall	10%	80%

Annotations:

- Zone name.
- Indicates current minimum air flow setting to this zone.
- Indicates current maximum air flow setting to this zone.
- Press here to change the zone air flow settings.
- Scroll up or down to see more zones.

iZone
Inventive · Intelligent · Intuitive

5.8 Changing zone airflows

Please note: It is possible to lock the maximum and minimum airflow settings in the configuration menus. If your screen does not display as indicated here and you require to make changes to airflows please contact your installer to activate your display.

Indicates current zone that you are changing the airflow to.

Indicates the current maximum airflow setting for this zone.

Indicates the current minimum airflow setting for this zone.
(This is usually set at 0%).
Min Airflow will not display if this adjustment has been locked.

Press here to increase the maximum airflow to this zone.

Press here to decrease the maximum airflow to this zone.

Press here to increase the minimum airflow to this zone.

Press here to decrease the minimum airflow to this zone.

Press here to go back to the airflow summary.

Scroll up or down to see more zones.

Living Room

90% Max Airflow

30% Min Airflow

Increase Decrease

Increase Decrease

Next Previous Back

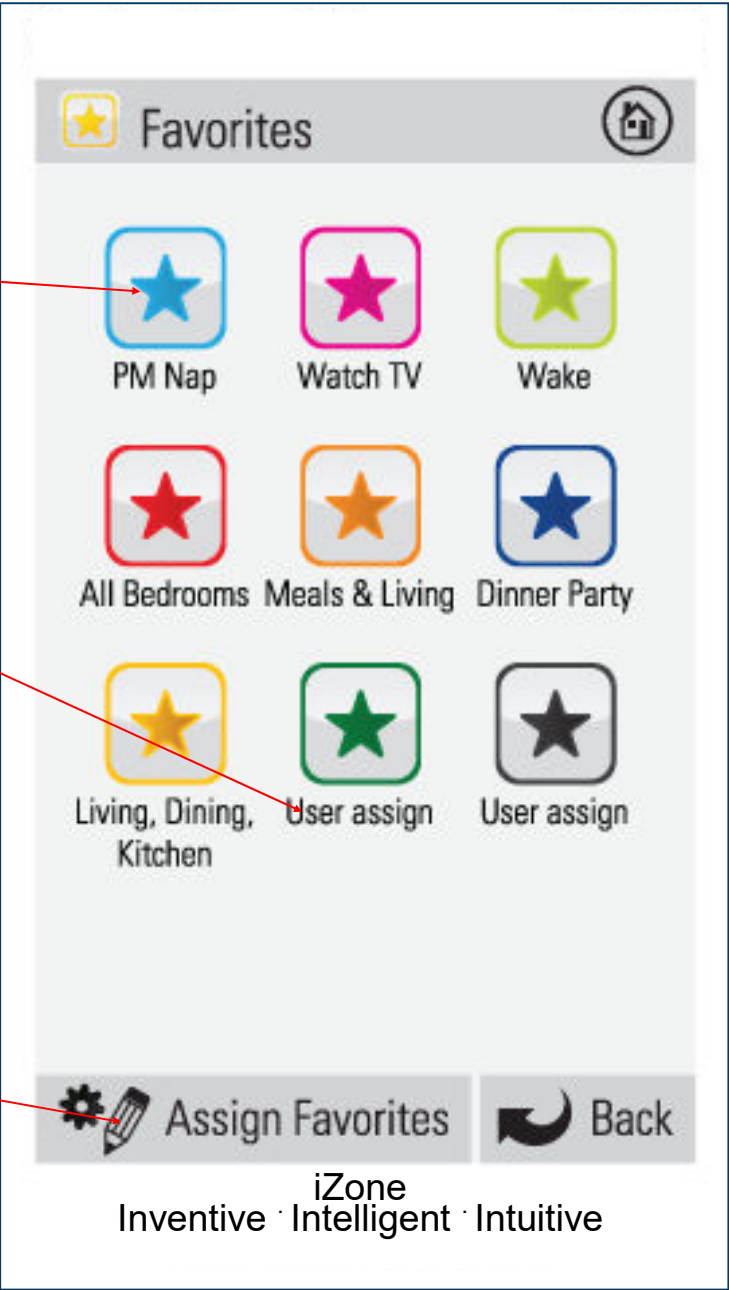
iZone
Inventive · Intelligent · Intuitive

5.9 Favourites

Press the favourite you would like and iZone will automatically change all the zones settings for this favourite.

Indicates this favourite has not been used.

Press here to setup and edit favourites



5.10 Assigning and editing favourites

Indicates current favourite being changed.

Press here to change the name of this favourite.

Zone names.

Indicates what mode you want each zone to operate in when this favourite is used. Change each zone setting to suit your requirements for this favourite.

If you require a different temperature to that indicated, go to your zone and change it first

Press here to go back to the favourites summary. Pressing the back button will save the favourite setting selected.

Scroll up or down to see more zones.

PM Nap

PM Nap

Zone 1	☰	24.0°C
Living room	☷	Closed
Dining room	☷	Closed
Kitchen	☷	Closed
Master bedroom	☰	24.0°C
John bedroom	☰	24.0°C
Study	☷	Closed

Up Down Back

iZone
Inventive · Intelligent · Intuitive

5.11 Schedules

Any of your favourites can be set to automatically start at any time of your choosing. Press here to enable the time based schedule for favourite (PM Nap).



Indicates an automatic time schedule has been enabled for this favourite.

Indicates no automatic time schedule has been enabled for this favourite.

Press here to set up or edit a schedule on any favourite

5.12 Setting and editing a schedule

Indicates current schedule that you are changing or setting.

Indicates the start time for this schedule.

Indicates the stop time for this schedule.

Indicates the days this schedule will apply. Press to stop the schedule running on this day.

Press here to clear this schedule.

Indicates the days this schedule will not run. Press the day you want the schedule to apply to.

Press the key pad to change the time. Remember it is in 24 hour format so for 2:30 am type in 0230.

Press the enter button to save your new setting.

Press here to go back to the schedule summary.

Press next to see the next schedule.

iZone
Inventive · Intelligent · Intuitive

5.13 Setting the time

Set Time

24Hr Time Format

12:30

01 / 01 / 2011

Date / Month / Year

1 2 3 4 5 6 7 8 9 0

Q W E R T Y U I O P

A S D F G H J K L ←

Z X C V B N M , . /

← → ↑ Space ←

↶ Back

iZone
Inventive · Intelligent · Intuitive

Current time.

Current date.

Indicates the minutes are be changed.

Press the left or right arrows to move to the value you want to change.

You must press the enter button to save the changes you have made.

5.14 Changing the home screen colour

The screenshot shows the 'Screen Settings' application interface. At the top, there is a title bar with a grid icon on the left and a home icon on the right. Below the title bar is the 'Screen Adjustments' section, which contains three horizontal sliders: 'Brightness', 'Contrast', and 'Saturation'. Each slider has a blue knob and is flanked by minus and plus signs. Below this is the 'Background Select' section, which displays a grid of ten color swatches. At the bottom of the screen, there is a 'Modern' radio button, a 'Back' button with a curved arrow icon, and the iZone logo with the tagline 'Inventive · Intelligent · Intuitive'.

Slide left / right to adjust the screen brightness.

Slide left / right to adjust the screen saturation.

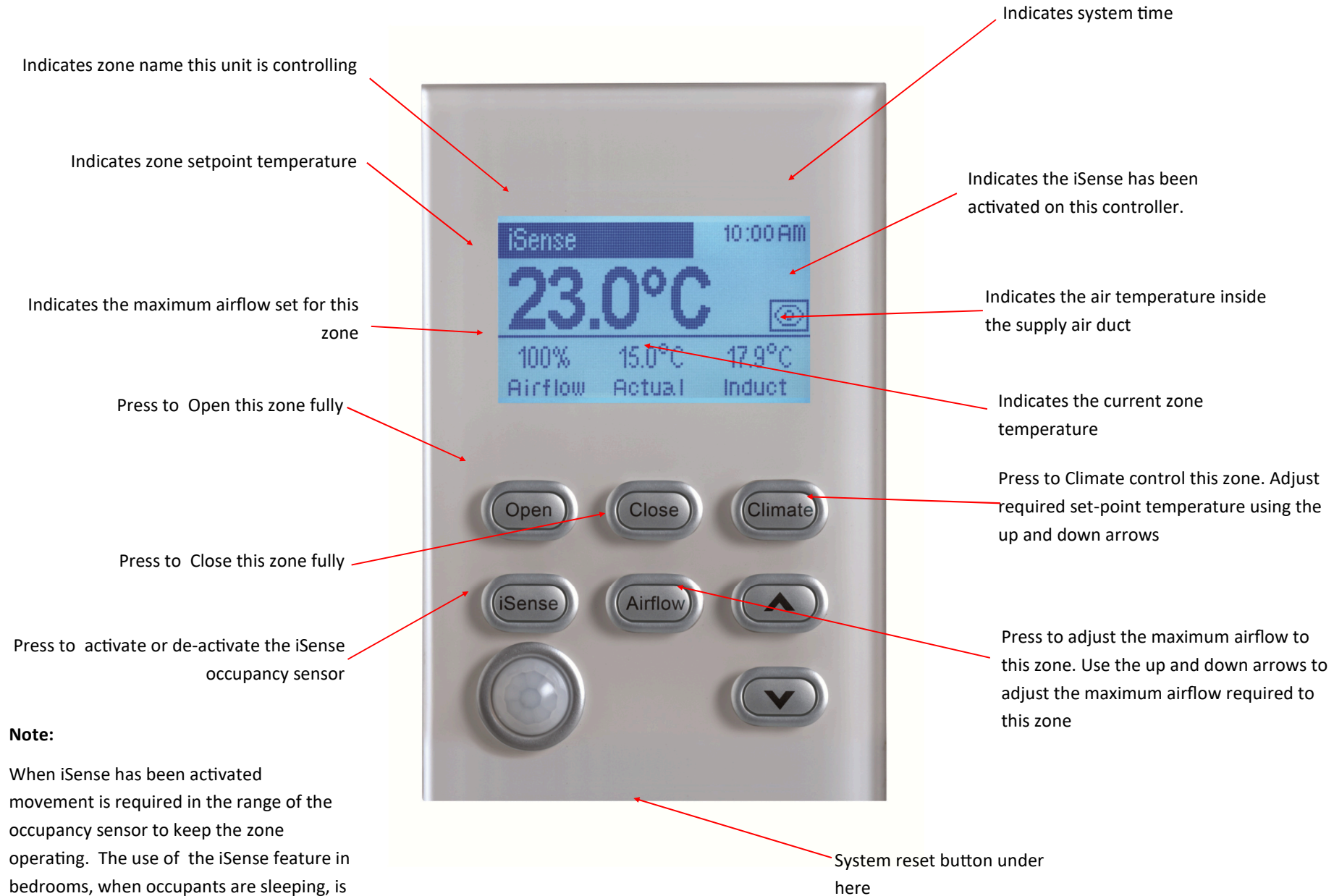
Slide left / right to adjust the screen contrast.

Press the colour you would like for your home screen. Fine adjustments to the shade, tone, hue can be made using the brightness, contrast and saturation slides.

Press here to change the graphics from Classic to Modern.

Press here to go back to the home screen.

5.15 iSense controller



Note:
When iSense has been activated movement is required in the range of the occupancy sensor to keep the zone operating. The use of the iSense feature in bedrooms, when occupants are sleeping, is not recommended.

6.0 Warranty registration

Your system is supplied with a standard 2 year warranty.

To extend your warranty you are required to complete this warranty registration form and email, fax or post it to Airstream along with a copy of your invoice. For terms and conditions please see Airstream's warranty policy at www.air-stream.com.au

Full Name:

Contact Phone number including area code: Email address :

iZone System ID number (if applicable): If you have more than one iZone system, please include additional registration forms.

Address where the system is installed:

Date of purchase: / /

Installation Company:

Proof of Purchase attached:
Yes / No

Signature

Date

Post, fax or email your registration to :
Airstream Components
9 Geelong Court, Bibra Lake,
WA 6163
Fax: 08 9494 1346
Email: info@air-stream.com.au

6.1 Airstream product warranty policy

This document sets out the warranties that are provided by Airstream Components WA Pty Ltd ACN 146 196 778 ("**Airstream**") in relation to each Product.

Definitions

In this document:

"**Australian Consumer Law**" means the law set out in Schedule 2 of the *Competition and Consumer Act 2010* (Cth) and any corresponding provisions of state or territory fair trading legislation.

"**Customer**" means the party that acquired the Product from Airstream for that party's use or, if the party who acquired the Product from Airstream was an authorised distributor, reseller or dealer, the party who acquired the Product from the distributor, reseller or dealer.

"**iZone Tablet**" means the product known as the "iZone Tablet".

"**Product**" means:

- an iZone Tablet; or
- other product manufactured by or for Airstream.

"**Site**" means the place at which the Product is located.

"**Third Party Goods**" means a product (including batteries) or item of equipment manufactured by a third party which is supplied with, or fitted to, a Product.

"**Warranty**" has the meaning given in clause 2.1.

"**Warranty Claim Form**" means the warranty claim form available on the Website.

"**Warranty Period**" means:

- for an iZone Tablet, one (1) year;
- for a Product (excluding an iZone Tablet) that has not been registered in accordance with clause 3, two (2) years; or
- for a Product (excluding an iZone Tablet) that has been registered in accordance with clause 3, eight (8) years,

from the date of purchase by the Customer.

"**Website**" means the Airstream website at www.air-stream.com.au.

Warranty

Subject to clauses 4 and 5, Airstream expressly warrants that each Product is free from operational defects in workmanship and materials for the Warranty Period ("**Warranty**").

The benefits of the Warranty are in addition to all other rights and remedies which the Customer may have under Australian Consumer Law and any other law in relation to the Product to which the Warranty relates.

Each Product comes with guarantees that cannot be excluded under Australian Consumer Law.

Extended Warranty

In order to receive an extended eight (8) year Warranty for a Product ("**Extended Warranty**") the Customer must register the Product by completing, and providing to Airstream, the registration form supplied in the

Product user manual or downloaded from the Website ("**Registration**").

Registration must be completed within sixty (60) days of the Product being purchased by the Customer.

Exclusions to Warranty

The Warranty does not cover Third Party Goods.

Subject to any statutory provisions to the contrary, the Warranty does not extend to cover damage to furniture, carpets, walls, ceilings, foundations, vehicles, or any other consequential loss arising either directly or indirectly due to the malfunction of the Product.

If a third party installer knowingly installs a defective Product, the Warranty will be strictly limited to the resupply of that Product and shall not include any labour costs.

Repair or Replace

During the Warranty Period, Airstream will, subject to clause 6, replace or repair any defective Product or defective component of a Product without, subject to clause 8, charge provided that the defect does not constitute damage that has arisen from:

- faulty, improper, incorrect or incomplete adjustment, operation or installation of the Product;
- any modification of the Product, without the written approval of Airstream, including tampering with or any attempt to disassemble the Product;
- inadequate or improper maintenance of the Product;
- misuse or abuse;
- normal wear and tear;
- failure for any reason to follow the instructions for use given in any user manual applicable to the Product;
- act of God;
- fire, flood, collision or other trauma; or
- insects or animals.

Warranty Claim Procedure

To obtain the benefit of the Warranty the Customer must:

contact Airstream within the Warranty Period or within seven (7) days of the discovery of the defect, whichever is the earlier;

complete and send to Airstream the Warranty Claim Form accompanied by proof of purchase of the Product.

On receipt of the Warranty Claim Form and proof of purchase of the Product, Airstream will contact the Customer to determine the extent of the issue or defect with the Product.

If there is an issue or defect with the Product that is covered by the Warranty then Airstream will at its sole option:

- require the Customer, at the Customer's expense, to have the defective Product, or defective component part, delivered to Airstream; or

provided the Site is located in the Perth metropolitan area, send an Airstream service technician to the Site to effect repairs to or replacement of the Product, save that the reasonable travel expenses (including travelling time) of the technician must be paid by the Customer.

In order to complete repairs or replacement of a Product in accordance with clause 6.3(b), Airstream requires safe and ready access to the Site and each Product including where required via scaffolding and access panels. If Airstream considers access to the Site or Product to be unsafe or not readily available, Airstream will not commence or will cease all work to repair or replace the Product. All costs incurred in the obtaining of safe and ready access to the Site and Product shall be payable by the Customer.

Any services requested by the Customer outside of the scope of the Warranty will be charged to the Customer in accordance with the following schedule of charges ("**Charges**")::

Description	Charges
Call out fee plus first hour on Site	\$165.00 plus GST
Hourly labour rate after first hour on Site	\$100.00 plus GST
Replacement parts for Product and deliveries	As per Airstream's current price list

The Charges are subject to variation by Airstream from time to time.

Airstream will replace, or conduct repairs to, a Product as soon as practicable but will not be liable for any loss or damage caused by any delay.

Assignment

The Customer may not assign or otherwise transfer the Warranty.

Airstream may at its sole discretion transfer or assign the Warranty.

Transportation Costs and Risk During Transit

All transportation charges incurred in returning a defective Product, or any defective component parts of a Product, to Airstream for repair or inspection, and the cost of returning them to the Customer must be paid by the Customer.

The Customer assumes the risk of, and shall be responsible for, any loss of or damage to any Product during transit. For this reason, Airstream recommends that the Customer take out shipment/postage insurance.

Third Party Warranties

Third Party Goods may be covered by independent manufacturer warranties. It is the Customer's responsibility to familiarize itself, himself or herself with these warranties. No additional warranty is provided by Airstream for Third Party Goods.

7.0 Further assistance

1. If you require warranty or maintenance on your air conditioning system or iZone system you should contact your installation company.
2. If you want to add more zones or temperature control to any zone you should contact your installation company.
3. If you require assistance from the manufacturer contact:

Airstream Components
9 Geelong Court
Bibra Lake
Western Australia 6163

Email: support@air-stream.com.au
Phone: +61 8 9418 6631
www.air-stream.com.au
www.izone.com.au

